



**Air Accessories & Tire Repair**

**AIR CHUCK**

**AC-5565B** Metal ball-foot chuck with built-in shut-off valves. 3/4" hex with 1/4" female NPT. Use on air hoses and other appliances.

**SPARE TIRE HOLDDOWN KIT**

**TN-20B** Large wing nut and extra long j-bolt AMC, Chrysler, Ford, GM cars

**SPARE TIRE HOLDDOWN NUT**

**TN-25B** Universal, zinc-plated. Fits 5/16", 3/8" 8mm thread sizes.

**TIRE INFLATOR - EMERGENCY**

**TH-1B** 17 ft. hose with female tire valves at eachend. Connects flat tire to spare tire in trunk. Allows flat with small, slow leak to refill from air in spare without changing tire. In 30 seconds the flat is sufficiently inflated to allow driver to reach closest service station. Will not inflate tires with large incisions.

**TIRE PRESSURE GAUGES**

**T-250B** Pencil-type with pocket clip and deflation pin. Chrome plated with 4-sided indicator bar. Reads up to 50 lbs. in 1 lb. increments.

**T-695B** Dial-type. 10-60 lb. gauge with pressure release button and deflator pin.

**TIRE REPAIR KITS**

**RK-319B** Discontinued

**RK-320B** Tube Patch Kit. Use on inner tubes and most rubber material. Contains 1 piece patching rubber, 3 - 1" round patches, buffing tool, 1 tube cement.

**TIRE VALVE EXTENSIONS — NYLON**

**VE-740B** 3/4" long. 4/card.

**VE-741B** 1-1/4" long. 4/card.

**VE-742B** 1-1/2" long. 4/card.

**TIRE VALVE TOOL**

**T-693B** 4-way valve tool for use on all types of vehicles. Removes and installs valve cores and rethreads inside/outside of valve.

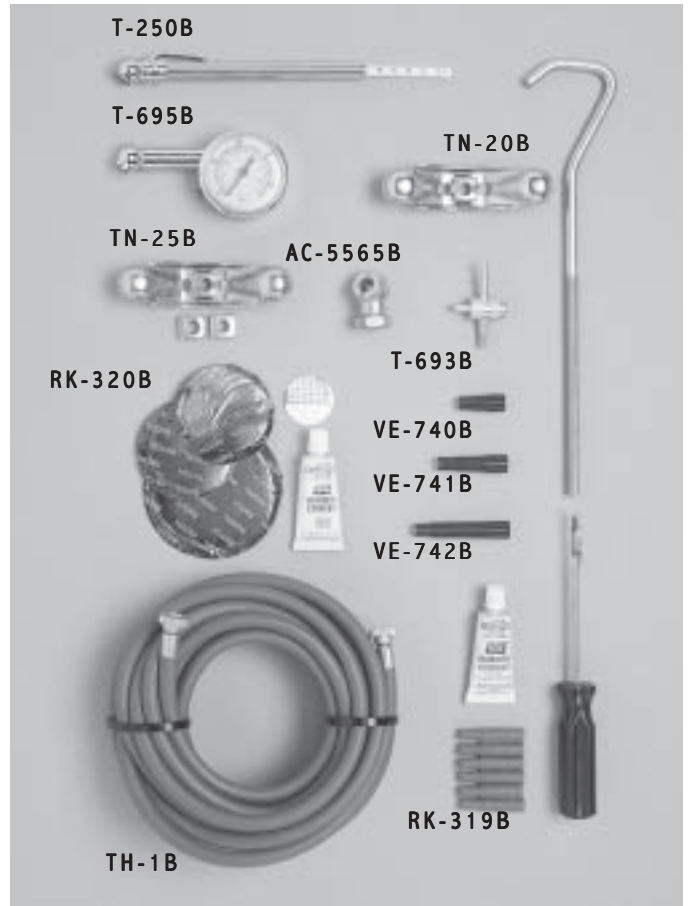
**Air Fresheners**

**AF-6400B** "Little Tree" air freshener, individually carded.

**AF-6400C** Display card holds 24 "Little Tree" mixed scent air fresheners.

**AF-6402B** Rainbow air fresheners, individually carded.

**AF-6402C** Display card holds 24 rainbow fresheners.



ACCESSORIES



MR-400B

MR-350B

MR-300B

MR-200B

WW-1B

DW-1B

ML-200B

KP-743B

For Coat Hook see page 42 in *Interior Replacement Section*



CB-1B

DG-330B

DG-331B

CW-600B

BA-1322B

### Auto Compass

**WW-1B** Compensating type. Liquid float. Suction cup or pressure sensitive attachment. Easy-to-read dial.

### Auto Map Light

**ML-200B** Plugs into 12 volt cigarette socket. Twists and turns to any position. Stores in glove compartment.

### Baby Shade

**BA-1322B** Green tinted vinyl shade adheres directly to inside of any car window. Protects babies and others from annoying sun glare. Simply press on, no attachments needed. Can peel off and reposition.

### Blind Spot Mirrors

High quality, convex wide angle mirrors with self-adhesive back. Features rustproof aluminum housing.

- MR-200B** 2" round
- MR-300B** 3" round
- MR-350B** 3-1/2" round
- MR-400B** 4" x 5-1/2" rectangle

### Clothes Bar

**CB-1B** Adjustable from 31"-58".

### Curb Feeler

**CW-600B** Steel coiled feelers give audible warning of curbs to help protect wheel covers and sidewalls. Adjustable with heavy gauge brackets. 2/card

### Cushion Pad

**KP-743B** Durable urethane cushion with cut-out handle. Perfect as a kneeling pad or for all purpose use. 7" x 17" x 1"

### Deer Whistle

**DW-1B** Black. Ultrasonic warning device. Fits all cars, motorcycles, trucks and vans. Laboratory tested. Removable for cleaning. Airflow activated at 35mph.

### Door Edge Protectors

Flexible plastic edging slips over door edge to help protect car door finish from peeling and chipping. Conforms to all door contours.

**DG-330B** Chrome finished, Length 33". 2/card.



DG-331B Black, Length 6". 2/card.

### Emergency Accessories

#### KEY STORAGE CASE

**KE-984B** Metal key case with slide open top. Extra strong magnet secures to any steel surface.

#### SAFETY FLARES

**SF-215** 15-minute, brilliant red-flame flare with self-contained striker cap. 2/box

#### TRIANGLE SAFETY REFLECTORS

Emergency road protection. Easy set-up triangle safety reflector with weighted base for added stability.

**SF-100B** Single triangle

**SF-101B** 3 triangles with self-storage case

#### For Sale Sign

**SS-1B** Weatherproof plastic sign is printed in fluorescent red and black for high visibility. 12" x 8" overall, .015" thick.

### Gauges

#### AMPERE

**PG-675B** 2" diameter lighted 60-0-60 ampere gauge with sweep dial.

#### OIL PRESSURE

**PG-676B** 2" diameter lighted mechanical oil pressure gauge calibrated 0-80 P.S.I. Use PG-677B installation kit.

#### WATER TEMPERATURE

**PG-674B** Universal 2" diameter lighted mechanical water temperature gauge with 72" capillary tube. 1/2" and 3/8" NPT adapters.

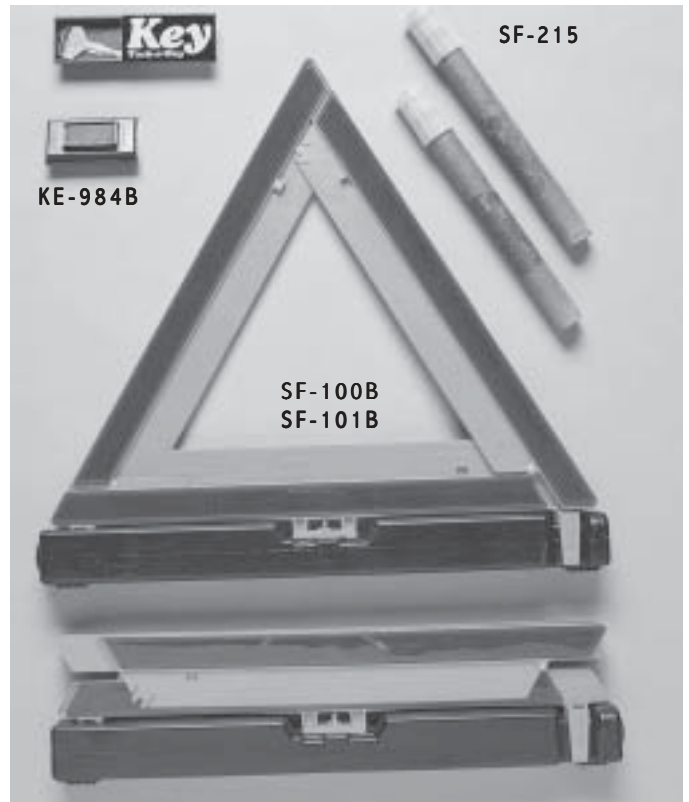
#### INSTALLATION KIT & MOUNTING PANEL

**PG-677B** Installation kit for PG-676B. 5 ft. of tubing, and complete fittings are included.

**PG-678B** Single panel used for mounting all 2" diameter Perfect Parts gauges.



SS-1B

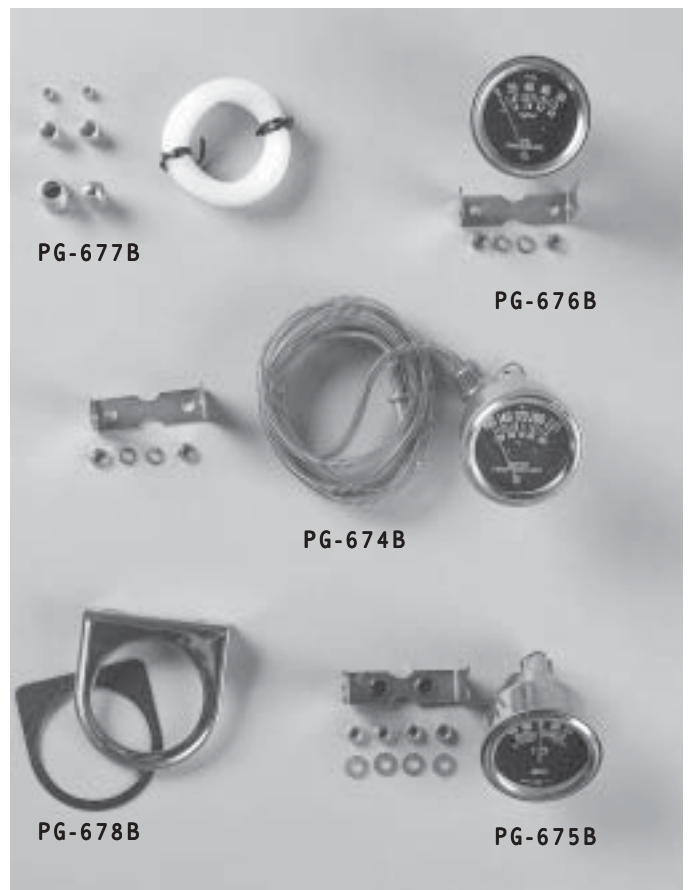


KE-984B

SF-215

SF-100B  
SF-101B

For Tire Pressure Gauges see page 1 in Accessories Section



PG-677B

PG-676B

PG-674B

PG-678B

PG-675B

ACCESSORIES



HK-219B



HK-211A



HK-213A



HK-214A



HK-215A



HK-216A



HK-218A

**Hardware Assortments**

Zinc plated steel fasteners in reusable plastic case.

**HK-211A Slotted Head Wood Screws — 175 screws**

Description	Size	Length	Qty.
Flat	#5	3/8"	46
	#6	5/8"	27
	#7	3/4"	22
	#11	7/8"	12
	#11	1/4"	9
	Round	#6	3/4"
#8		1"	19
#8		1/4"	15

**HK-213A Stove Bolt Kits — 125 pcs.**

Description	Size	Length	Qty.
Bolts	3/16"	1/2"	15
	3/16"	3/4"	16
	3/16"	1"	8
	3/16"	1-1/4"	5
	1/4"	1/2"	10
	1/4"	1"	8
Square nuts	3/16"		45
	1/4"		18

**HK-214A Flat and Lock Washers — 250 pcs.**

Description	Size	Qty.
Flat	#10	52
	5/16"	15
	1/4"	24
	3/8"	9
Lock	#12	90
	5/16"	19
	1/4"	29
	3/8"	12

**HK-215A Hex Nuts — 150 pcs.**

Size	Qty.	Size	Qty.
6-32	35	1/4" 20	15
8-32	31	1/4" USS	10
10-32	27	3/8" USS	8
12-24	20	7/16" USS	4

**K-216A Mixed Assortment — 150 pcs.**

Description	Size	Length	Qty.
Square nuts	3/16"		28
Stove bolts	3/16"	1/2"	20
Stove bolts	3/16"	1"	10
Flat washers	3/16"	1"	30
Pan head sheet metal screws	#10	1"	15
Pan head sheet metal screws	#10	1/2"	24
Wood screws	#11	7/8"	13
Wood screws	#11	1-1/4"	10

**HK-218A Wall Anchors/Pan Head Screws — 100 pcs.**

Description	Size	Length	Qty.
Anchors	#6		24
	#8		13
	#10		10
	#12		2
Screws	#6	1"	24
	#8	1"	15
	#10	1-1/4"	10
	#12	1-1/2"	2

For specialty hardware assortments see page 57 in *Shop Supplies Section* and page 103 in *Under Hood Section*



### Picture Hanging Kit

**HK-219B** Contains 6 hangers, 12 screw-eyes, 15 ft. stranded wire. Use to hang framed pictures.

### Padlocks

#### PIN TUMBLER PADLOCKS

Laminated steel body, plated for corrosion resistance. Both legs of the shackle lock for extra protection. Double protected bumpers.

**PL-1B** Discontinued

**PL-2B** 2-5/8"

#### STEEL WARED PADLOCKS

Laminated steel body, plated for corrosion resistance.

**PL-3B** Discontinued

**PL-4B** 1-3/4"

**PL-5B** Discontinued

**PL-7B** Discontinued

**PL-8B** 2" 3-digit combination, stainless steel lock with hardened shackle.

**PL-11B** 1-1/2" bike lock with 36" vinyl coated cable. Brass pin tumbler keyway with 2 keys.

#### WEATHERPROOF PADLOCK

**PL-14B** A hardened shackle with thermoplastic cover over a laminated steel body. When locked, cover completely seals the shackle and key cylinder from foul weather.

### Plastic Oil Accessories

#### DRAIN PAN

**OP-613B** 6 qt. plastic drain pan with rolled edge and pouring lip. Unaffected by most oil-based products.

#### FLEXIBLE SPOUT

**PF-619B** 9" plastic flexible spout with universal thread. For use with plastic oil bottles, anti-freeze jugs and more.

#### FUNNELS

**PF-400B** 4" Diameter 1/2 pt.

**PF-600B** 6" Diameter 1 pt.

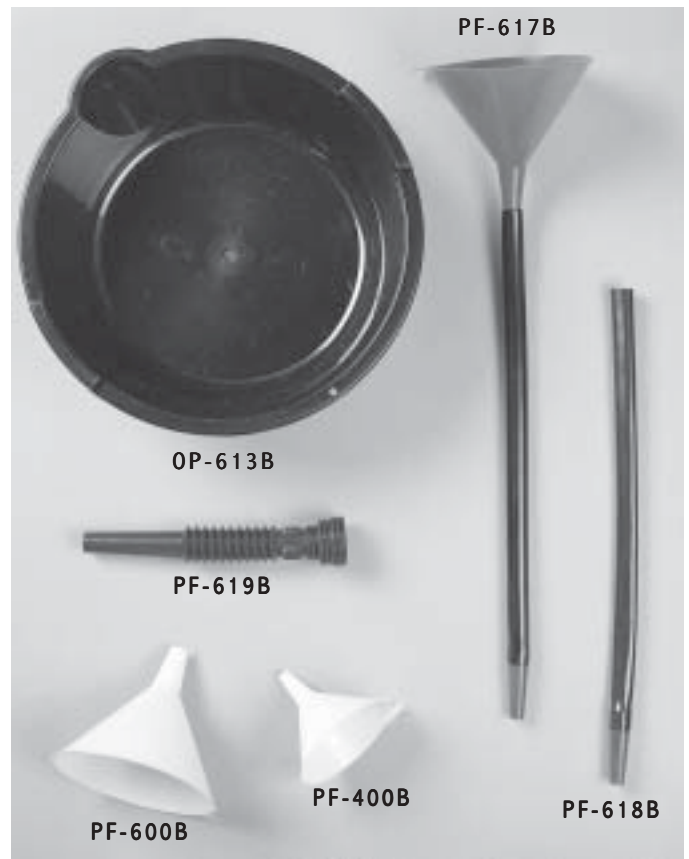
**PF-617B** 6" Funnel with 17" flexible hose for hard to reach filler pipes.

#### FUNNEL EXTENSION

**PF-618B** 17" flexible funnel extension for hard to reach filler pipes. Tapered end for openings as small



For additional Oil Service Tools see Page 73 in **Tools Section** and for Oil Drain Plugs see pages 110-111 in **Under Hood Section**

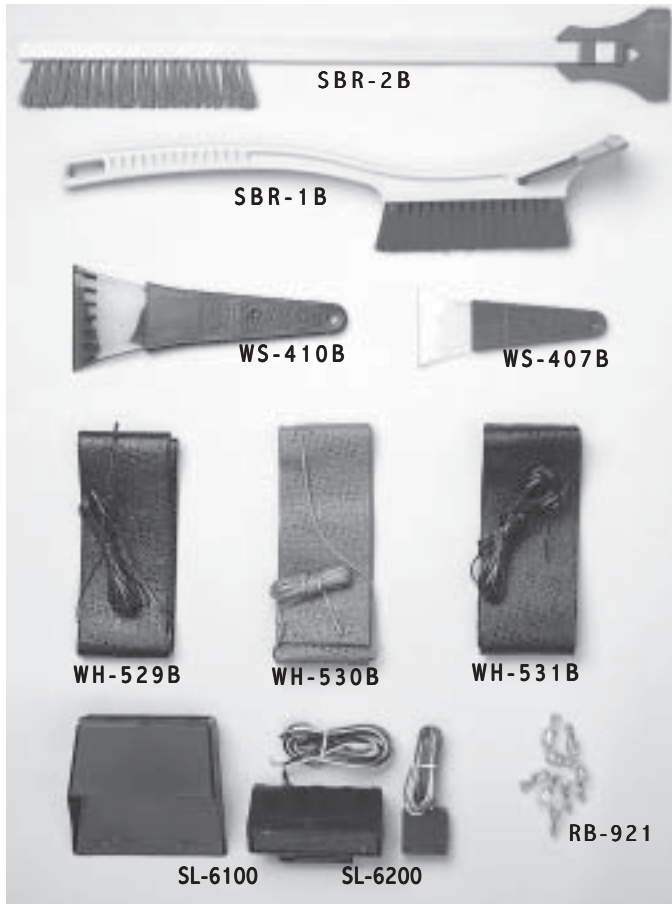


ACCESSORIES



as 1/2". Can be used with most funnels.

### Snow Brush/Ice Scrapers



**SBR-1B** Deluxe - 3-1/2" wide scraper with built-in breakers, 18-1/4" plastic handle has hand grip and hanger hole for storage. 2" polypropylene bristles. Angular design makes for easier use.

**SBR-2B** Economy - Tough molded plastic scraper and bristles on 24" hardwood handle

Heavy duty acrylic scraper with easy-grip, contoured vinyl handle.

**WS-407B** 7" Scraper

**WS-410B** 10" Scraper

### Steering Wheel Covers

Leather-look vinyl with easy-to-install stretch lacing.

**WH-529B** Discontinued

**WH-530B** Tan Vinyl

Fits all car steering wheels 14-16"

**WH-531B** Black Vinyl

Fits truck steering wheels up to 22"

### Stoplight — Eye Level

Matches OEM design and meets all federal standards. Mounts inside car and includes 1" plastic block for added height and visibility.

**SL-6100** For domestic or import vehicles. Includes electronic module for vehicles with only red taillight lenses. Module can be removed if vehicle has amber rear turn signals.

**SL-6200** Fits vehicles with amber rear turn signals. Electronic module is not included.

**RB-921** Replacement bulbs for SL-6100, SL-6200 10 bulbs per package.

### Tie-Downs

#### ELASTIC STRETCH CORDS

Fabric covered, high-tensile elastic cords stretch to twice their size. Vinyl coated steel hooks permanently attached. Use on auto, motorcycle, home or boat.

**EL-80B** 13" stretches to 26"  
1 arm — 2 hooks

**EL-81B** 16" stretches to 32"  
1 arm — 2 hooks

**EL-82B** 20" stretches to 40"  
1 arm — 2 hooks

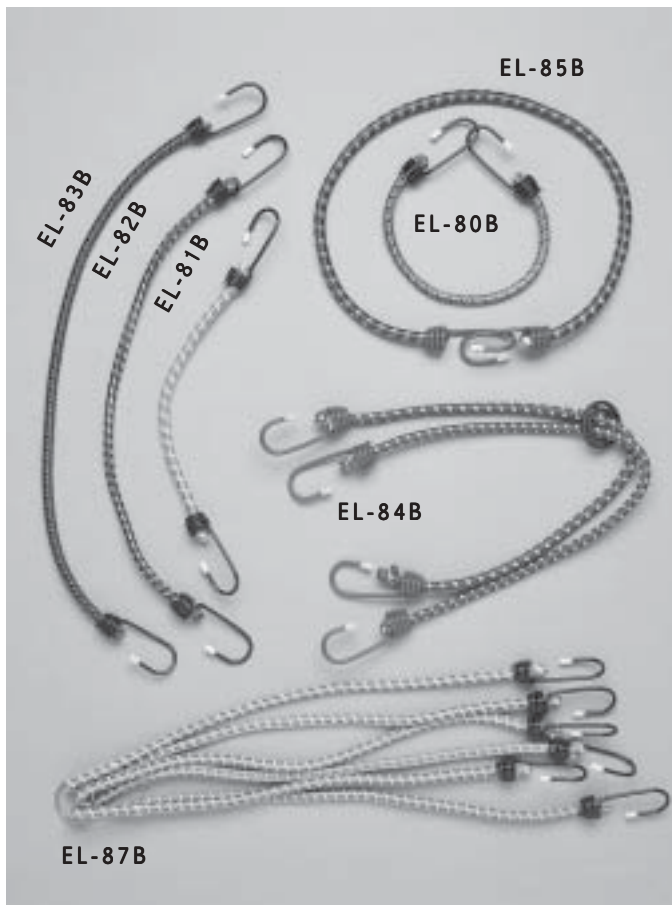
**EL-83B** 24" stretches to 48"  
1 arm — 2 hooks

**EL-84B** 24" stretches to 48"  
4 arms — 4 hooks

**EL-85B** 30" stretches to 60"  
1 arm — 2 hooks

**EL-87B** 36" stretches to 72"  
6 arms — 6 hooks

ACCESSORIES





**Tie-Downs Cont'd**

**RUBBER TIE DOWNS**

Heavy-duty rubber tie downs feature reinforced ends for maximum strength. Extra heavy-duty plated "S" hooks for secure holding. All measurements are the rubber from end to end. Quick on-off hooks eliminate rope tying.

**TD-9B** 9" extends to 13"

**TD-15B** 15" extends to 20"

**TD-20B** 20" extends to 30"

**TD-31B** 31" extends to 48"

**TD-41B** 41" extends to 53"

**TIE DOWN REPLACEMENT HOOKS**

**TD-3B** "S" hooks

**WEB TIE DOWNS**

**TD-160B** Adjustable 4' - 16' 1500 lb. test tie downs feature heavy-duty, quick-release steel ratchets and 2 double-j hooks.

**Tow Rope — Heavy-Duty**

**TR-125B** 12' 6" braided rope with heavy-duty steel hooks withstands up to 6,000 lbs. of pulling strength.

**Trunk Lock Anti-Theft Plate**

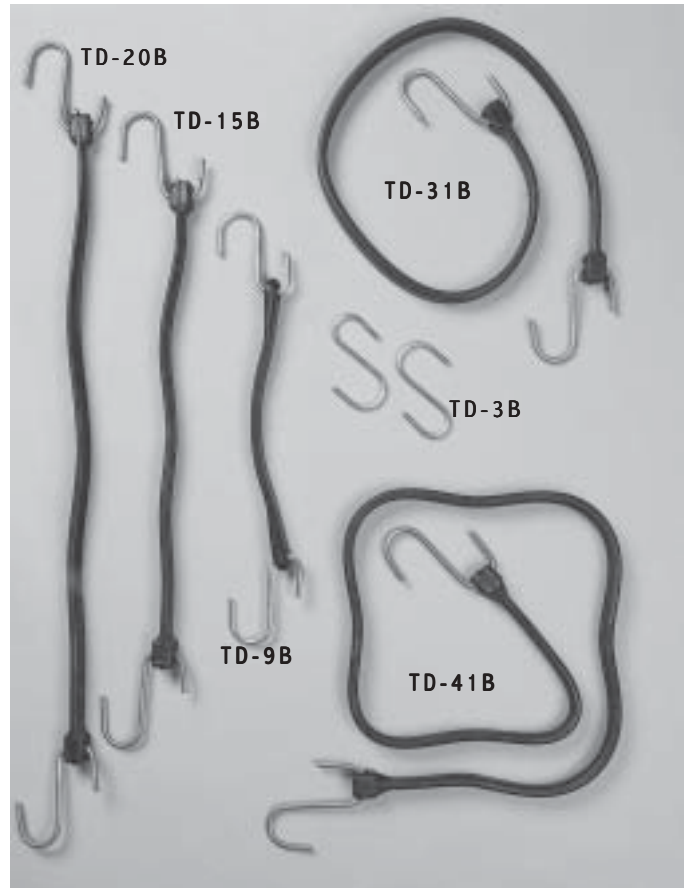
**TP-79B** Heavy-duty, chrome plated steel plate includes one-way slotted screws. Easy installation. Universal to fit most cars.

**Visor Vanity Mirror**

**VM-484B** Black plastic frame, 9-1/2" x 3-3/4" mirror with clips and stick on tabs for mounting.

**Wiper Delay Kit**

**WDK-1B** Wiper Delay Controller Switch. Intermittent timing control from 2-25 seconds. On-Off indicator light.



ACCESSORIES



SERVICE  
BATTERY



**Battery Booster Cable Clamps**

**T-15B** Copper plated, with steel clamps  
 1 red — 1 black

**300 AMP HEAVY DUTY**

**T-16B** 300 amp solid copper clamps  
 1 red — 1 black

**400 AMP HEAVY DUTY**

400 amp heavy-duty vinyl coated steel clamps.

**T-294B** 1 black

**T-295B** 1 red

**400 AMP EXTRA HEAVY DUTY**

400 amp extra heavy-duty cyclac clamps with copper plated steel bolt-on jaws. Shatter proof in all weather.

**T-330B** 1 red

**T-331B** 1 black

**Battery Cable Quick Disconnect**

**BT-23B** Allows easy and fast removal of battery. Ideal for auto and marine use.

**Battery Cable Ends**

**BT-131B** Top mount 4-gauge fits 6-4 gauge battery cables 6 or 12 volt with auxiliary lead.

**BT-132B** Side mount 4-gauge fits 4-2 gauge battery cables with auxiliary lead.

**BT-135B** Chrysler multi-pigtail replaces Chrysler cable ends with multiple pigtails.

**Battery Carrier Strap**

**BC-2B** Discontinued



### Battery Holddown Bolts

Bolts come complete with nut and washer. Extra long threads can be cut to fit special needs. 2/card.

<b>BH-1B</b>	carriage bolt head	5/16" x 11"
<b>BH-2B</b>	hook on one end	3/8" x 10"
<b>BH-3B</b>	flat hook on one end	3/8" x 5-3/4"
<b>BH-4B</b>	hook on one end	5/16" x 9-1/2"
<b>BH-5B</b>	flat hook on one end	5/16" x 10-1/4"
<b>BH-6B</b>	flat hook on one end	5/16" x 5-7/8"
<b>BH-7B</b>	hook on one end	1/4" x 5"
<b>BH-8B</b>	hook on one end	1/4" x 9"
<b>BH-16A</b>	Discontinued	

### Battery Holddowns

#### CROSSBAR TYPE

Vinyl coated, heavy-duty steel holddowns.

**BHD-21B** Universal crossbar battery holddown. Replaces most OEM designs.

Battery Groups:  
B.C.I. 21, 22F, 23, 24, 24F, 27, 27F,  
60, 71, 72, 73, 74, 77

**BHD-24B** Non-adjustable battery holddown for domestic and import cars.

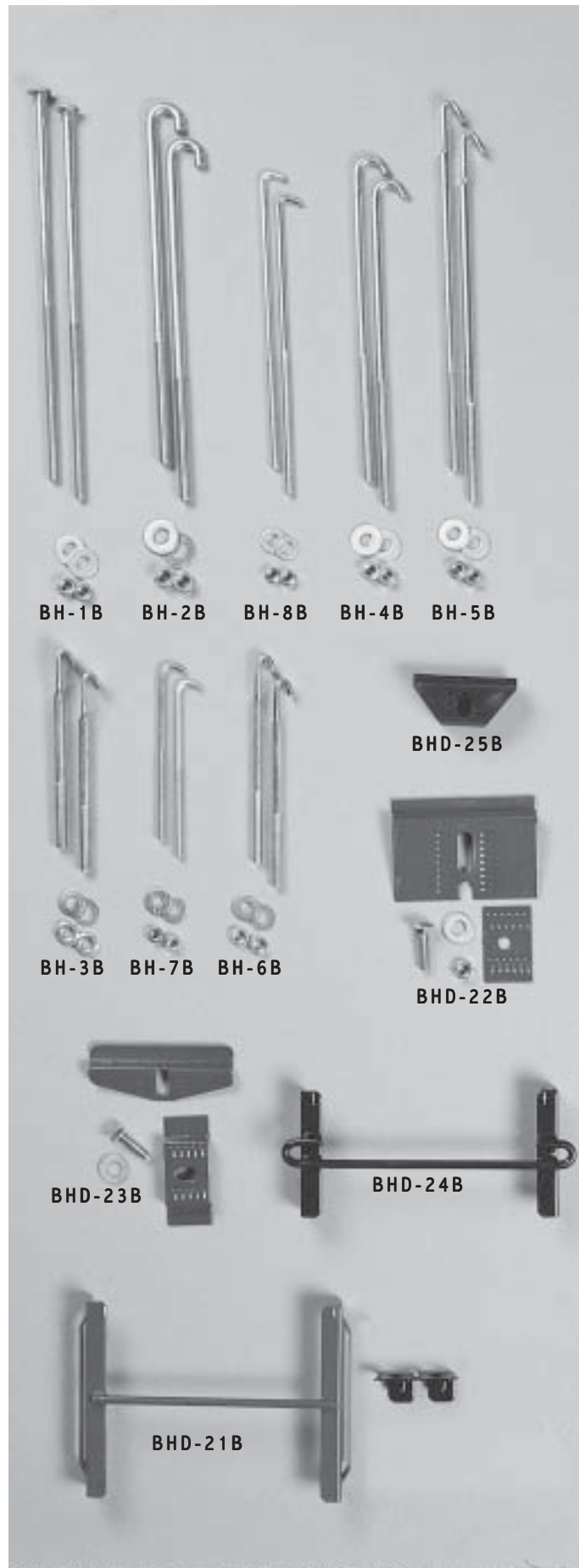
Battery Groups:  
22F, 24, 27, 60,71, 72, 74, 77

#### BASE CLAMP TYPE

Can be used on either side or end of battery.

**BHD-22B** Fits Ford base mounted battery

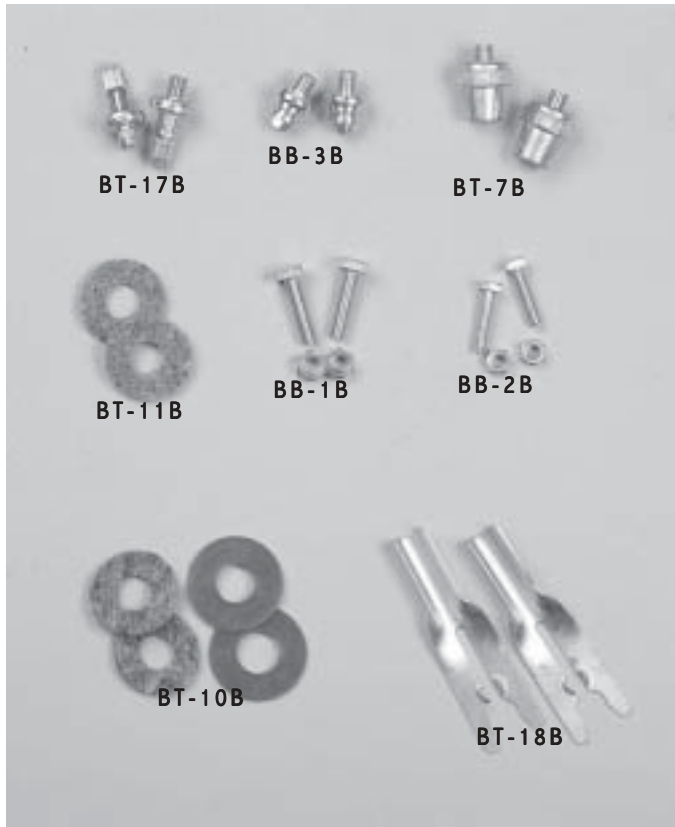
**BHD-23B** Fits GM base mounted battery



BATTERY SERVICE

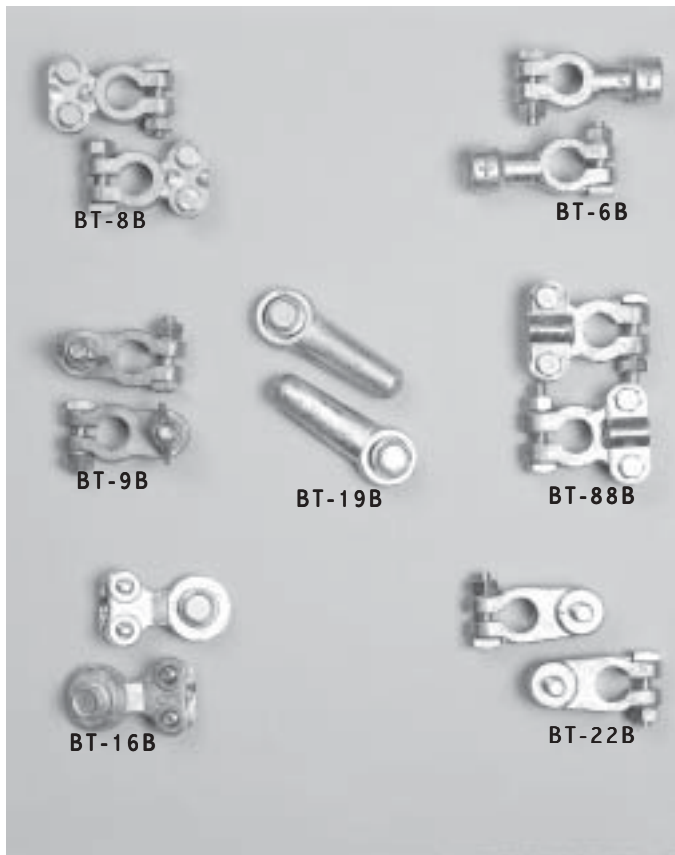


SERVICE



For Battery Cable Quick Disconnect and Battery Cable Ends see page 8 and for Battery Terminal Tools see page 12 in Battery Service Section

BATTERY



BHD-25B Fits most GM models 1979-up

**Battery Terminals**

**BATTERY POST CORROSION RESISTORS**

**BT-10B** Felt washer and plastic holder.

1 pair for positive, 1 pair for negative.

**Bulk, 12 sets-order BT-10.**

**BT-11B** Felt washer; can be used without plastic holder on positive and negative posts.

**Bulk, 12 sets order BT-11**

**BATTERY TERMINAL BOLTS**

**BB-1B** Zinc plated 5/16"x18 x1-1/4" bolt with square head and 1/2" hex nut. 2/card.

**BB-2B** Zinc plated 1/4"x 20x1-1/4" square head bolt with 7/16" hex nut. 2/card.

**BB-3B** Use on most side terminal batteries. 2/cd.

**CONVERSION BATTERY TERMINALS**

**BT-6B** Solid lead, 1 positive — 1 negative. Converts post-type batteries to side terminal cables. 1 pair/card.

**BT-22B** Post to threaded connector converts post-type group 31 batteries to OEM type batteries. Zinc plated 3/8" daisy-head stud cast in lead terminal. 2/card.

**SIDE TERMINAL CHARGING CLIPS**

**BT-18B** Charge battery without removing it from car. Up to 500 amp charging capacity. 2/card.

**SIDE TERMINAL CHARGING POSTS**

**BT-7B** Solid lead 5/16" threaded end. Temporary charging post, side terminal batteries. 2/cd.

**SIDE TERMINAL CONVERSION POST**

**BT-19B** Solid lead, zinc plated mounting bolt converts side terminal battery to post-type for use with conventional cables. 2/card.

**SIDE TERMINAL REPLACEMENTS**

**BT-16B** Solid lead with zinc plated mounting bolt. 2-bolt plate for secure connection. Fits #6-00 ga. cable. Positive or negative. 2/cd.

**SIDE TERMINAL STUDS**

**BT-17B** Zinc plated steel extension stud. 3/8" hex body with 5/16" 10-24 hex, slotted end screw. For accessory wire hook-up. 2/card.

**UNIVERSAL BATTERY TERMINALS**

Replace terminals without replacing cable. Solid lead. Fit positive/negative on post type batteries. 2/card.

**BT-8B** Standard duty with heavy-duty 2-bolt plate.

**BT-8C** Display card of 10 BT-8.

**BT-88B** Heavy duty with steel threaded inserts for clamp bolts. #1-4/0 ga. cable. 2/card.

**WING NUT BATTERY TERMINAL**

**BT-9B** Solid lead terminal with zinc plated steel extension stud. 3/8" hex body, 5/16" 10-24 hex slotted terminal screw. Brass wing nut.



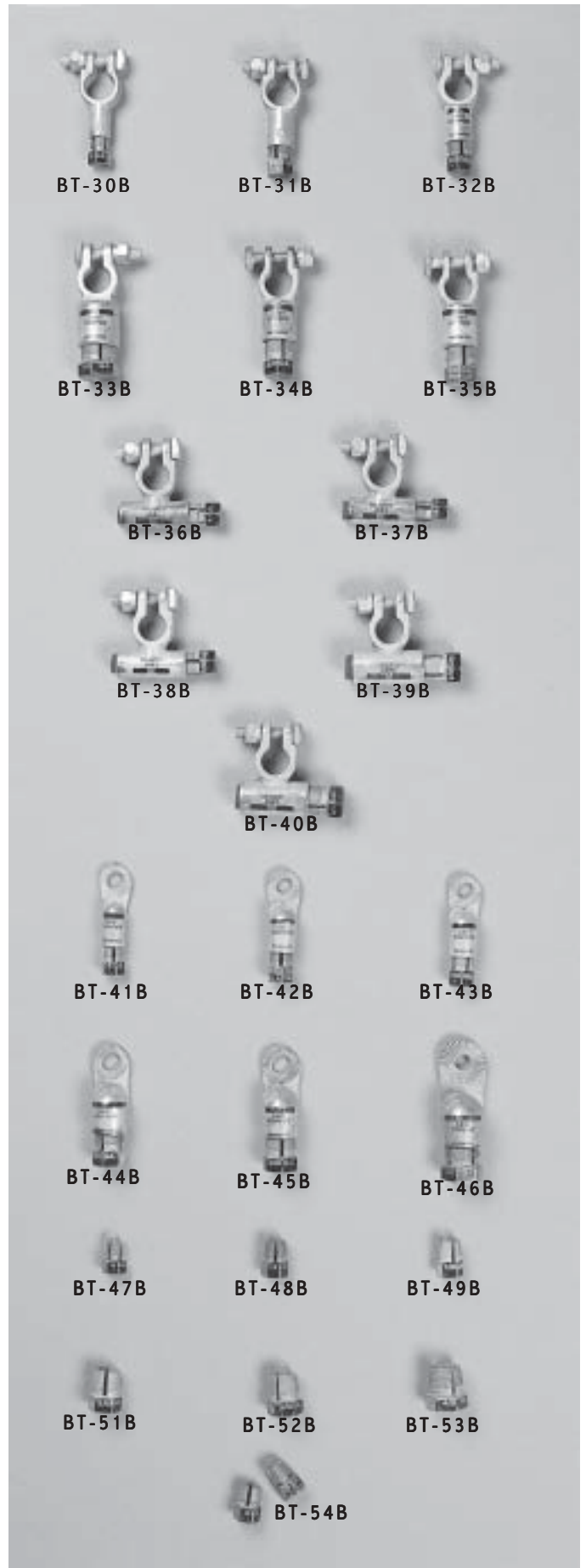
# COMPRESSION

# TERMINALS

## Compression Terminals

Solid cast copper compression terminals for battery cable replacements and custom battery cable fabrication. Trouble-free terminations, quick, easy assembly with simple tools.

Perfect#	Description	Gauge
<b>BT-30B</b>	Straight Terminal	4
<b>BT-31B</b>	Straight Terminal	2 & 1
<b>BT-32B</b>	Straight Terminal	1/0
<b>BT-33B</b>	Straight Terminal	2/0
<b>BT-34B</b>	Straight Terminal	3/0
<b>BT-35B</b>	Straight Terminal	4/0
<b>BT-36B</b>	Right/Left Flag 90 degree	4
<b>BT-37B</b>	Right/Left Flag 90 degree	2 & 1
<b>BT-38B</b>	Right/Left Flag 90 degree	1/0
<b>BT-39B</b>	Right/Left Flag 90 degree	2/0
<b>BT-40B</b>	Right/Left Flag 90 degree	3/0
<b>BT-41B</b>	Side terminal and stud	4
<b>BT-42B</b>	Side terminal and stud	2 & 1
<b>BT-43B</b>	Side terminal and stud	1/0
<b>BT-44B</b>	Side terminal and stud	2/0
<b>BT-45B</b>	Side terminal and stud	3/0
<b>BT-46B</b>	Side terminal and stud	4/0
<b>BT-47B</b>	Compression Nut	4
<b>BT-48B</b>	Compression Nut	2 & 1
<b>BT-49B</b>	Compression Nut	1/0
<b>BT-51B</b>	Compression Nut	2/0
<b>BT-52B</b>	Compression Nut	3/0
<b>BT-53B</b>	Compression Nut	4/0
<b>BT-54B</b>	Compression Nut	4



BATTERY

SERVICE



SERVICE

BATTERY



**Battery Testers**

- T-306B** 4 color coded balls in acid resistant tube complete with vinyl pocket saver pouch. Indicator chart on both tube and vinyl pouch. Check hot or cold batteries.
- T-433B** Professional tester with swing needle for direct reading. Gives accurate reading on hot or cold batteries.
- T-1302B** 12-1/4" battery hydrometer measures specific gravity of each cell. 3 color float with easy-to-read markings.

**Battery Tools**

**BATTERY BOLT PLIERS**

**T-196B** All-purpose tool with tapered, serrated jaws to grip hex, square or round parts.

**BATTERY FILLER**

**BF-1B** 6" flexible spout with a 6 oz. capacity and acid resistant bulb.

**BATTERY POST AND CLAMP TOOL**

**T-197B** 3-way tool spreads, cleans & clamps in one quick operation.

**BATTERY POST AND TERMINAL CLEANERS**

**T-19B** Heavy-gauge wire internal and external brushes clean battery posts and cable terminals. Plastic case.

**T-24B** Steel case. Heavy-duty wire tapered brush for terminals and internal wire brush for battery posts.

**T-329B** Heavy-duty plastic body "T" type tool with 6 blade tapered reamer for terminals and spring steel cleaners for positive and negative posts.

**BATTERY TERMINAL LIFTER**

**T-195B** Removes terminal without damage to battery post.

**Battery Trays**

**UNIVERSAL TRAYS**

High-impact polypropylene which cannot corrode, rust or conduct electrical current. Use centering holes to align or drill for a special application.

**BT-700B** Large tray for battery up to 12-1/2" long. Battery Groups: 27, 27F, 30H, 41.

**BT-701B** Small tray for battery up to 10-1/2" long. Battery Groups: 22F, 24, 24F, 42, 55, 62, 70, 71, 74.

**BATTERY TRAY ADAPTER BRACKET**

For Ford, Chrysler and GM applications. Fastens battery tray in OEM position to inside of fender wall.

**BT-702B** Use with BT-700B and BT-701B.