



SUBCATEGORIES

-

SUBCATEGORIES

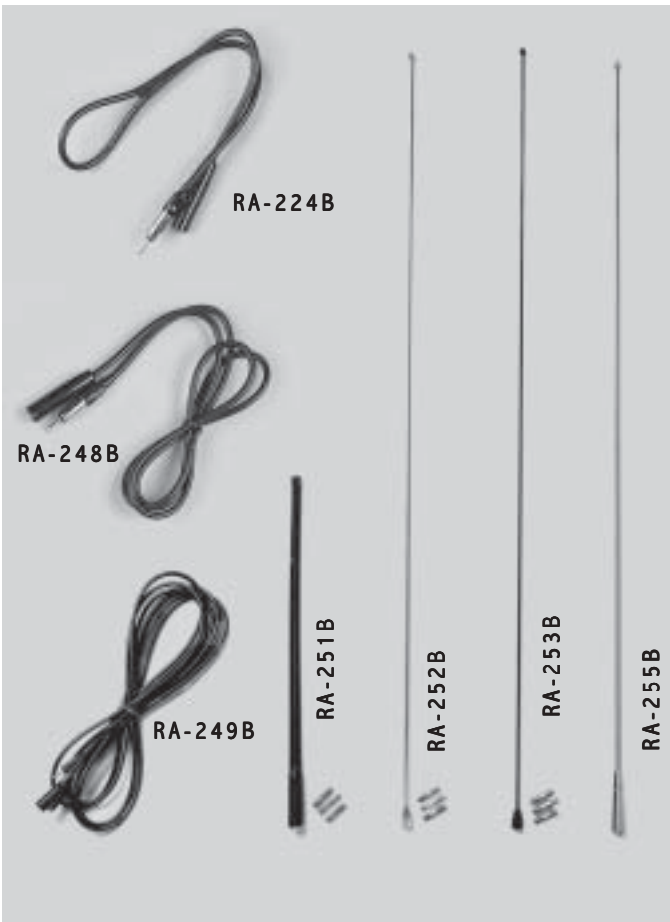
EXTERIOR

REPLACEMENT



REPLACEMENT

EXTERIOR



Antennas

RADIO ANTENNA LEAD EXTENSIONS

- RA-224B** 24" extension with male and female ends.
- RA-248B** 48" extension with male and female ends.
- RA-249B** 144" extension cable with male and female ends.

REPLACEMENT ANTENNA MASTS

- RA-250B** Single piece, 22" chrome plated steel antenna with stainless steel spring base and locking screw. Inside taper fits over broken antenna.
- RA-251B** Universal. 14" unbreakable rubber mast. 1 section. Includes 3 adapter studs. For AMC, Chrysler, Ford, GM.
- RA-252B** OEM style. 31" stainless steel mast. Includes 3 adapter studs. For AMC, Chrysler, Ford, GM.
- RA-253B** OEM style. 31" ebony mast. Includes 3 adapter studs. For AMC, Chrysler, Ford, GM.
- RA-254B** 3 section, chrome plated replacement mast with locking screw base. Extends to 31". Inside taper fits over broken antenna.
- RA-255B** Universal. 31" 1 section mast.

REPLACEMENT ANTENNAS

- RA-275B** Universal. 3 section, chrome plated antenna with fixed 48" lead. Extends from 22" to 39". Can be mounted on fender, rear deck and top cowl.
- RA-277B** Ford Custom. 3 section, chrome plated antenna with Ford base and fixed 48" lead. Extends from 18" to 46". Fits all Ford cars
- RA-278B** Universal. 32" mast with fixed 48" lead. Fits most GM cars, and many others including Volkswagen.
- RA-279B** Custom for Ford and Chrysler products. All-black, 32" mast, fixed 48" lead with custom Ford base to fit any Ford /Mercury car. Can also be used on most Chrysler products.
- RA-280B** Taurus and Sable 1985-up. Detachable mast with 55" lead, fender mount.
- RA-281B** GM 1980-up, Imports 1984-up. Detachable mast with 63" lead, fender mount.
- RA-282B** GM and Chrysler Mini-Van. Detachable steel mast with 63" lead, fender mount.
- RA-283B** Ford Escort 1985-up. Detachable mast with 63" lead, fender mount.
- RA-284B** Toyota, Nova and Prizm 1985-up. 80" cable, pillar mount.

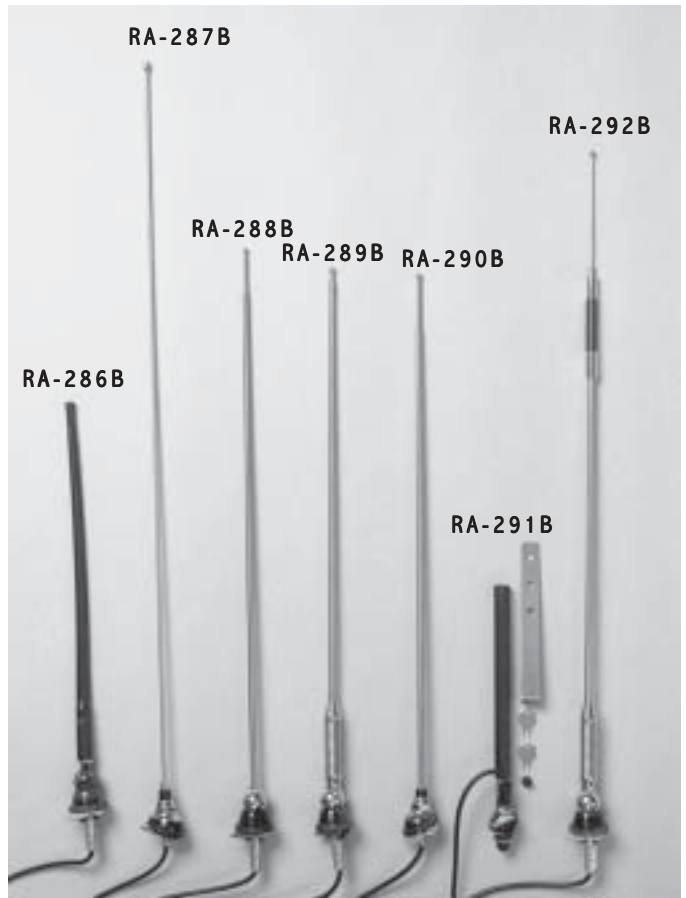


REPLACEMENT ANTENNAS Cont'd

- RA-285B** Toyota 1983-up. Detachable mast with 65" cable. See Page 28.
- RA-286B** Universal top or side mount. 16-1/2" unbreakable rubber mast with 54" cable. Ball base adjusts to any angle.
- RA-287B** Universal top mount. 1 piece stainless steel 31" mast with 54" cable. Includes optional mounting base.
- RA-288B** Top or side mount. 3 section mast extends to 57" with 54" cable. Ball base adjusts to any angle.
- RA-289B** Universal top or side mount. 3 section, flexible spring mast extends to 53" with 54" cable. Ball base adjusts to any angle.
- RA-290B** Universal top mount. 3 section mast extends to 55" with 54" cable.
- RA-291B** Universal key lock, small mount. Retracts flush to base, requires special key (2 included) to extend. 5 section mast extends to 39" with 48" cable. Requires 9-1/2" space under fender.
- RA-292B** Universal top or side mount. 3 section mast with flexible spring and power booster coil. Mast extends to 50" with 54" cable. Ball base adjusts to any angle.

AUTOMATIC & SEMI-AUTOMATIC

- RA-500B** Semi- Automatic Antenna. 5 section replaceable mast extends to 31". Flush-mount head and 55" cable. 11-1/2" under fender.
- RA-501B** Automatic Antenna. 4 section replaceable mast with flush-mount head and 55" detachable cable. 11-1/2" under fender.



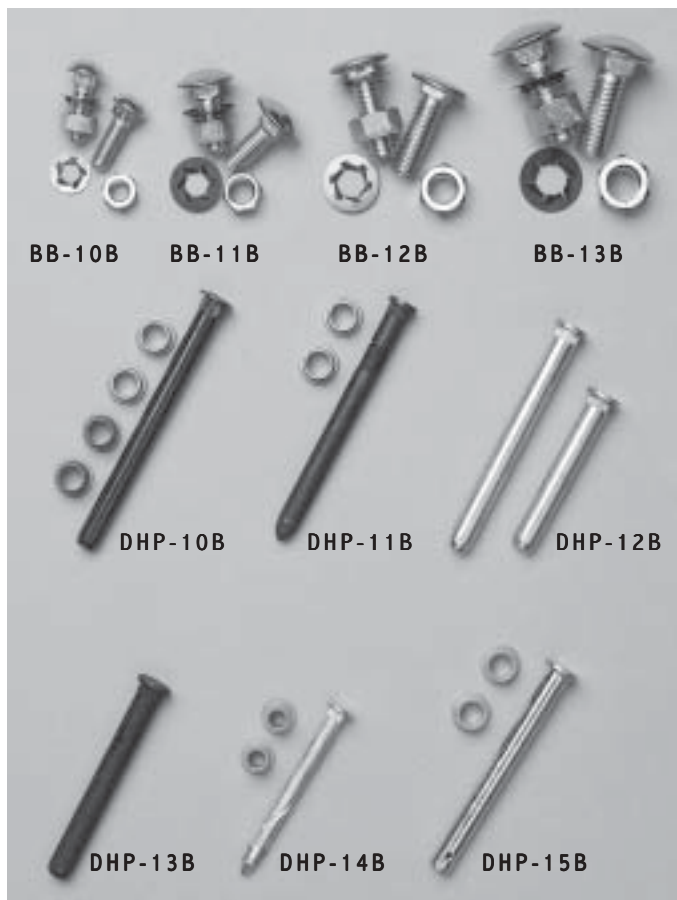
EXTERIOR



REPLACEMENT

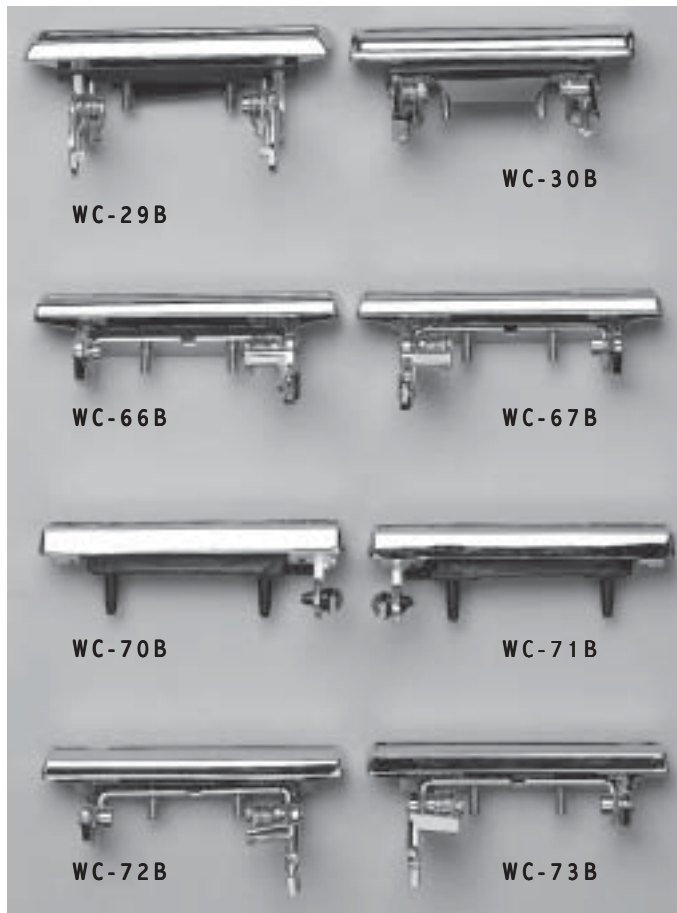


REPLACEMENT



For Interior Door Handles see page 43 in

EXTERIOR



Bumper Bolt Kits

- BB-10B** Includes 5/16" x 3/4" bolt, 5/16" hex nut & 5/16" washer. 8mm equivalent. 2/card.
- BB-11B** Includes 3/8" x 1" bolt, 3/8" hex nut & 3/8" washer. 10mm metric equivalent. 2/card.
- BB-12B** Includes 7/16" x 1-1/2" bolt, 7/16" hex nut & 7/16" washer. 13mm metric equiv. 2/cd.
- BB-13B** Includes 2 each 1/2" x 1-1/2" bolts, 1/2" hex nuts, & 1/2" washers. 13mm metric equivalent.

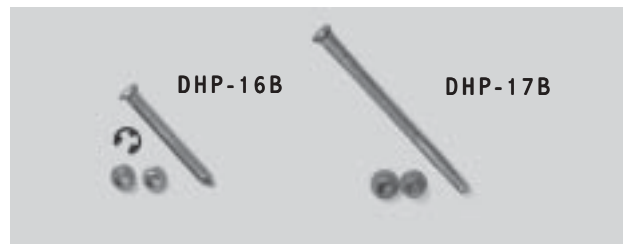
Door Hinge Pins

Fix sagging or sticking doors with OEM steel hinge pins and bushings.

- DHP-10B** Contains 1 pin and 4 bushings
 Ford Truck 1981-76
 GM Full size 1985-73
- DHP-11B** Contains 1 pin and 2 bushings
 GM A, F, J, & T bodies 1985-80
- DHP-12B** Contains 2 pins
 Chrysler Corp. 1984-91
 Chrysler Corp. 1984-91
- DHP-14B** Contains 1 pin and 2 bushings
 Chrysler Corp. 1986-89
- DHP-15B** Contains 1 pin and 2 bushings
 Capri, Mustang 1980-90
- DHP-16B** Contains 1 pin, 2 bushings and 1 clip
 Ford F150/350 Pick-Up 1985-94
 Ranger 1990-92
- DHP-17B** Contains 1 pin and 2 bushings
 GM CK 1, 2, 3 Pick-Up 1988-94

Door Handles — Exterior

- WC-29B** CC (4184228) Replaces left or right side. Made from heavy die-cast metal, chrome plated, complete with gasket. Aries, Reliant, Cordoba and Mirada 1980-up.
- WC-30B** CC (4184226) Replaces left or right side. Omni and Horizon 1980-up
- WC-66B** Right hand for GM 1976-87 "G" body cars.
- WC-67B** Left hand for GM 1976-87 "G" body cars.
- WC-70B** Right hand side GM 1977-90 "B" body, Chevette 1978-82
- WC-71B** Left hand for GM 1977-90 "B" body, Chevette 1978-82
- WC-72B** Right hand for GM 1970-81 "G" body cars.
- WC-73B** Left hand for GM 1970-81 "G" body cars.





Door Handles — Exterior Cont'd

- WC-82B** Left hand for many GM 1982-94 models. Black.
- WC-83B** Right hand for many GM 1982-94 models. Black.
- WC-84B** Right hand for many GM 1983-88 models. Black.
- WC-85B** Left hand for many GM 1983-88 models. Black.
- WC-86B** Rear hatch handle for Dodge/Plymouth mini vans 1984-90.
- WC-87B** Left hand for many GM 1982-94 models. Black.
- WC-88B** Right hand for many GM 1982-94 models. Black.
- WC-89B** Left hand for Chrysler Corp. 1992-94 mini vans. Black.
- WC-90B** Right hand for Chrysler Corp. 1992-94 mini vans. Black.
- WC-91B** Left hand for Ford/Mercury 1981-90. Fits many models. Black.
- WC-92B** Left hand for GM 1987-94 Lumina and Regal. Black.

Door Hinge Roller

- DHR-1B** Contains 1 roller and 1 stud. Ford/Mercury cars and trucks 1980-94.

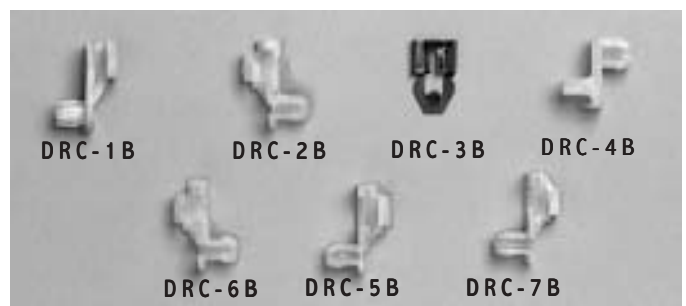
Door Lock Rod Clips

Connects door lock rod to door handle. Select part by appearance and match to original.

DRC-1B	Ford	1980-94
DRC-2B	G M	1982-95
DRC-3B	G M	1959-95
DRC-4B	G M	1977-95
DRC-5B	G M	1975-95
DRC-6B	Chrysler Corp.	1971-95
DRC-7B	Chrysler Corp.	1971-95

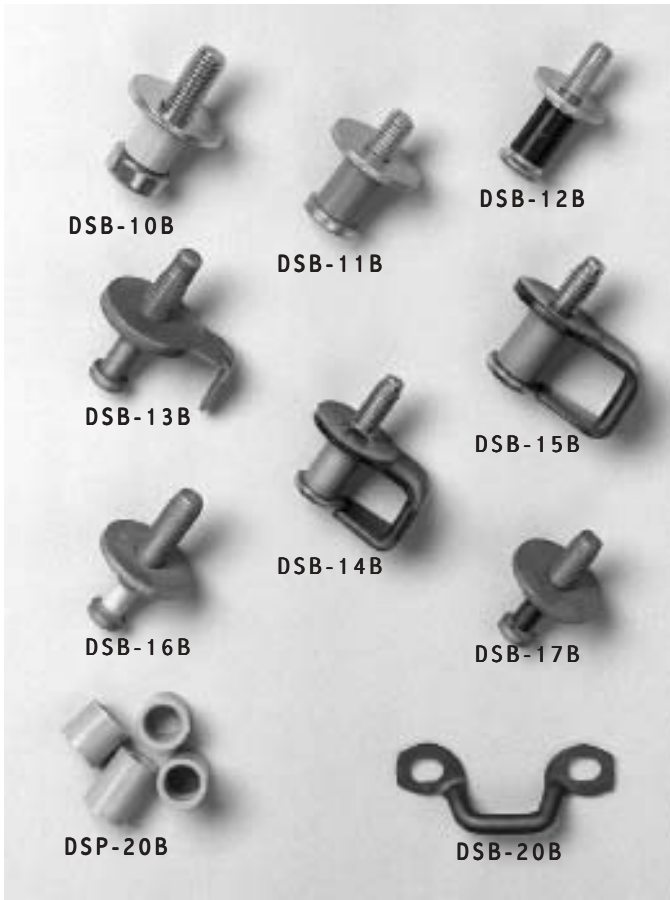


EXTERIOR REPLACEMENT





REPLACEMENT



Striker Bolts

Helps prevent rattle. Plated for corrosion resistance.

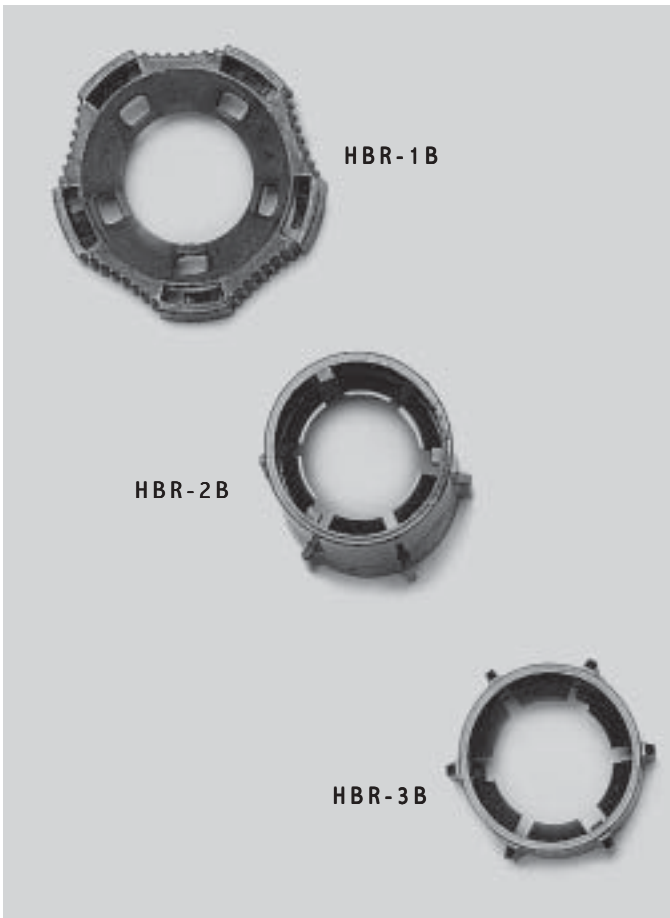
- DSB-10B** Door. GM cars 1971-91.
Thread size: 1/2" x 13.
- DSB-11B** Door. Ford cars and trucks 1973-86.
Thread size: 7/16" x 14.
- DSB-12B** Tailgate. Chrysler Corp. 1990-94. Thread size: 10mm x 1.5. Includes bolt and bushing.
- DSB-13B** Door. Jeep 1980-94.
Thread size: 12mm x 1.75.
- DSB-14B** Door. Ford/Mercury 1981-94 Aerostar, Bronco II, Escort, Explorer, Lynx, Ranger, Sable, Taurus, Tempo, Topaz.
Thread size: 10mm x 1.25.
- DSB-15B** Door. Ford/Mercury 1980-94 E150/350 Vans, F150/350 Pick-Up, Fullsize, Mustang plus other vehicles. Thread size: 7/16" x 14.
- DSB-16B** Door. Chrysler Corp. 1981-94.
Thread size: 12mm x 1.75.
- DSB-17B** Door. Dodge/Plymouth trucks and vans 1985-94. Thread size: 7/16" x 14.

Striker Bushing Kit

DSP-20B Tailgate. Durable urethane thermoplastic bushings help prevent liftgate/tailgate rattle. Includes 2 sets of bushings. One set fits Bronco II 1984-90 and Explorer 1991-94. The other set fits Fullsize Bronco 1983-94.

Height	ID	OD
.950"	.500"	.700"
.650"	.500"	.740"

EXTERIOR



Striker Latch

DSB-20B Door. Fits rear cargo doors on GM Fullsize G-Series Vans and Suburban 1971-95.

Headlamp Accessories

HALOGEN BULB RETAINERS

OEM replacement

Holds lamp receptacle in place on the back of lamp assembly. No need to replace entire lamp. Made of high strength heat resistant plastic.

Caution: Never touch surface of the halogen bulbs when replacing. Unit gets very hot with limited usage. Make sure part is cool prior to touching.

- HBR-1B** GM Vehicles 1986-up with composite headlamps. Used with 9004 bulb.
- HBR-2B** Escort, Lynx, Sable, Taurus, Tempo, Topaz 1985-up.
- HBR-3B** Chrysler Vans 1987-up, Ford Festiva 1988-90, Honda Civic 1976-87 & Civic Wagon 1986-87, Mazda 1986-87.



Headlamp Accessories Cont'd

HALOGEN BULB RETAINERS Cont'd

HBR-4B Mazda 323 1986-up, Mercury Tracer 1987-up, Toyota Camry, Corolla, Cressida 1984-up, Tercel 1986-up. Used with 9004 bulb.

HBR-5B Nissan Maxima 1984-up, Sentra, Van, 300ZX 1986-up. Used with 9004 bulb.

HBR-6B Chrysler mini vans 1987-up, Ford Tempo, Mercury Topaz 1992-up, Lincoln Mark 1984-up, Mercury Merkur XR4Ti 1985-89. Used with 9004 bulb.

HBR-7B Ford Festiva 1988-93, Honda Civic, CRX 1986-87, Mazda 626 1986-up. Used with 9004 bulb.

HEADLAMP RETAINING RINGS

Stainless steel. Mounting screws included

HR-621B Small rectangular.

HR-622B Large rectangular.

HR-623B Large round.

HR-624B Small round Molded, high impact, black plastic ring.

HR-625B Small rectangular for 4 lamp systems with black trim. Camaro, Firebird, T-Bird, Chrysler products.

HEADLAMP RETAINING RING SCREWS

RS-808B Chrome plated, sheet metal screws used on most headlamp retaining rings.

Headlamp Adjusters

Replacement assemblies made to OEM specs. For domestic and import applications. Allows for proper aiming when adjusting headlamp direction. 2/card.

HA-10B Chevrolet 1976-up

HA-11B Buick 1976-up

HA-12B Chevrolet 1976-up

HA-13B Pontiac 1976-up

HA-14B Cadillac, Oldsmobile 1976-up

HA-15B Chevrolet (Full size) 1975-up

HA-16B Buick, Oldsmobile 1977-up

HA-17B Oldsmobile 1977-up

HA-18B Pontiac 1977-up

HA-19B Chrysler LeBaron & Dodge Diplomat 1978-up

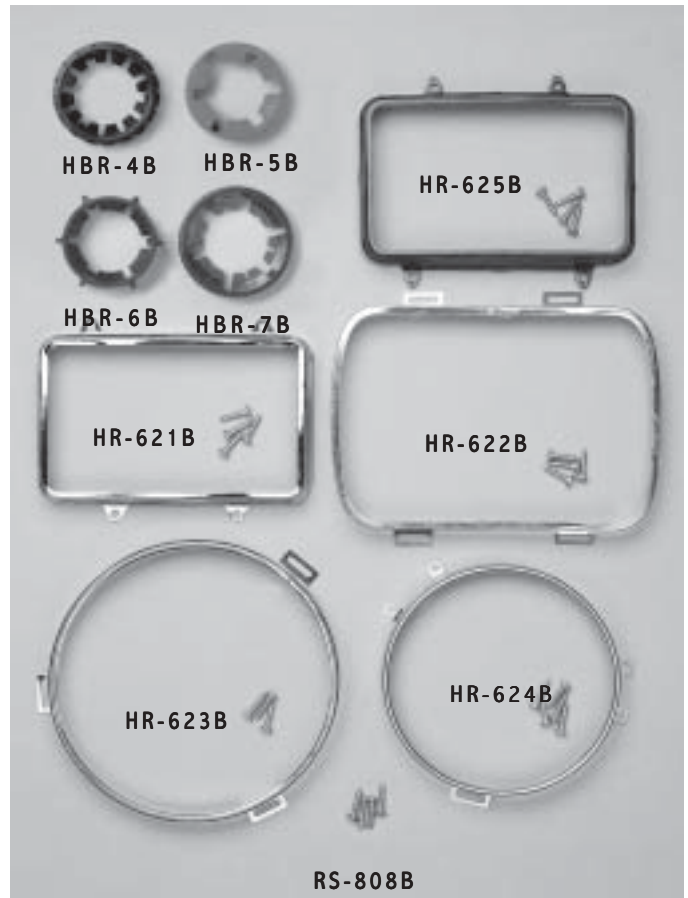
HA-20B Chrysler Corp. 1978-up

HA-21B Ford Motor Co. 1978-up

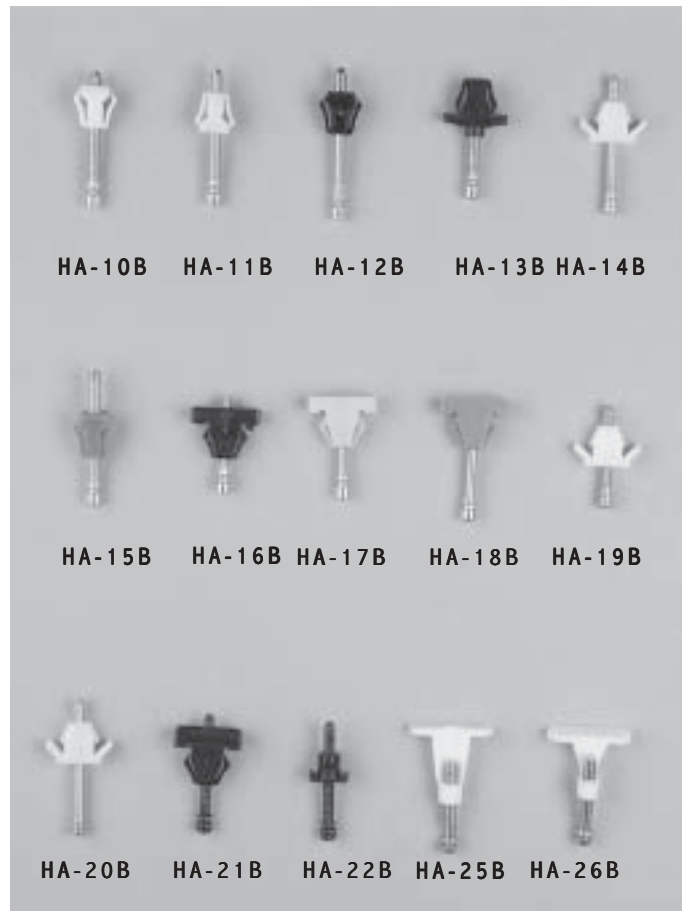
HA-22B Ford Motor Co. 1979-up

HA-25B VW Rabbit, Vertical 1976-84

HA-26B VW Rabbit, Horizontal 1976-84



EXTERIOR



REPLACEMENT

HEADLAMP

ADJUSTERS



REPLACEMENT



EXTERIOR



Headlamp	Adjusters	Cont'd
HA-27B	Cadillac (1/4" - 28 x 1-7/8")	1975-up
HA-28B	Universal (1/4" - 28 Assembly)	
HA-30B	Ford Motor Co.	1969-up
HA-31B	Chrysler Corp.	1972-up
HA-32B	Ford Motor Co.	1977-78
HA-33B	American Motors	1979-up
HA-34B	Nissan, Toyota	1968-84
HA-35B	Ford Motor Co.	1983-up
HA-36B	AMC, Volkswagen	1983-up
HA-37B	Chrysler Corp.	1978-up
HA-38B	Ford Motor Co. Horizontal	1985-88
HA-39B	Ford Motor Co. Vertical	1985-89
HA-40B	Ford Motor Co. Vertical	1986-87
HA-41B	Ford Motor Co. Horizontal	1986-87
HA-42B	Ford Motor Co.	1986-88
HA-43B	Ford Motor Co.	1986-88
HA-44B	Ford Motor Co.	1987-88
HA-45B	Ford Motor Co.	1987-88
HA-46B	GM Vehicles	1986-up
HA-47B	Ford Motor Co.	1989-up
HA-49B	Ford Motor Co.	1989-up
HA-50B	Ford Motor Co.	1989-up
HA-51B	Ford Motor Co.	1989-up
HA-52B	Ford Motor Co.	1989-up
HA-53B	Ford Motor Co.	1989-up
HA-54B	Ford Motor Co.	1988-up
HA-55B	Ford Motor Co.	1988-up
HA-56B	Ford Motor Co.	1988-up
HA-57B	Ford Motor Co.	1988-up
HA-58B	Ford Truck	1987-up
HA-59B	Ford Truck	1987-up
HA-60B	Ford Truck Vertical	1989-up
HA-61B	Ford Truck Vertical	1989-up
HA-62B	Ford Truck Horizontal	1989-up
HA-63B	Chrysler Mini-Van	1987-up
HA-64B	Toyota Pick-up	1984-up
HA-65B	GM "H" Body	1987-up
HA-66B	Ford Motor Co.	1989-up
HA-67B	Ford Motor Co.	1989-up
HA-68B	Toyota	1985-up

All Headlamp Adjusters available 2/card.



HOOD HOLDDOWN — LICENSE PLATE ACCESSORIES

Hood Holddown

HHD-10B Universal. Rubber latch with T-handle. Holds securely without damage to hood.

License Plate Accessories

LICENSE PLATE ADAPTER

LP-44B Universal. Used to mount front license plates on plastic bumpers. Use with LP-43B front license plate bracket.

LICENSE PLATE BOLTS — NYLON BOLTS

Weather-resistant, molded nylon bolt (1/4" - 20 x 1/2") includes washer head and hex nut. Resists rust and corrosion.

LP-17B Black set of 4

LP-18B White set of 4

LICENSE PLATE BRACKETS (FRONT)

LP-43B Heavy duty front license plate mounting bracket. 16 gauge construction. Universal for front license plates.

LP-45B GM CK1, 2, 3 Pick-Up 1988-94

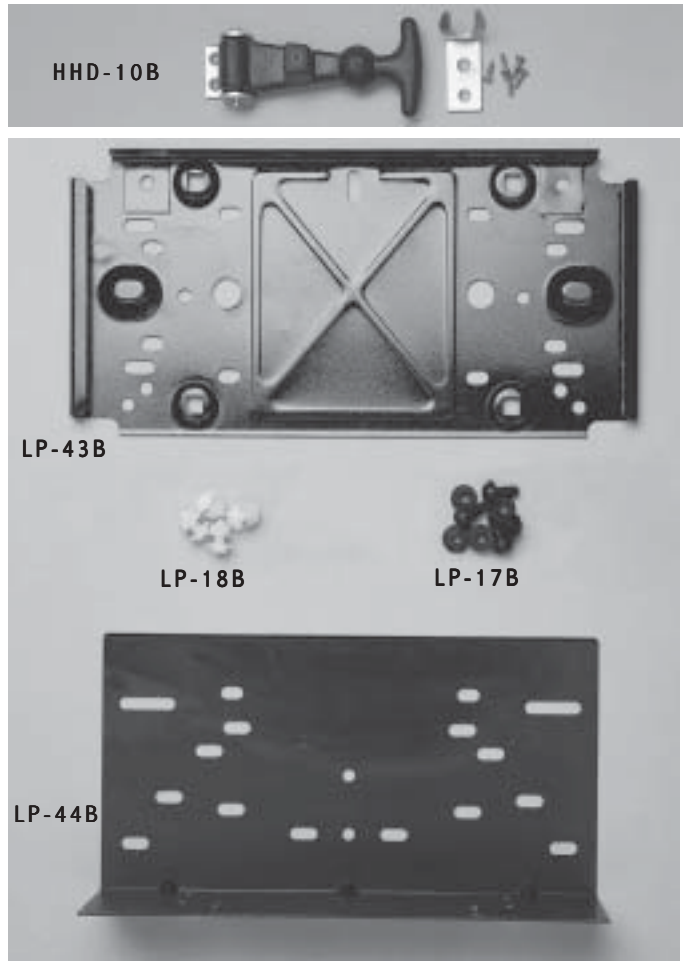
LP-46B Chevrolet Corsica 1987-94

LP-47B Chevrolet Lumina 1990-94

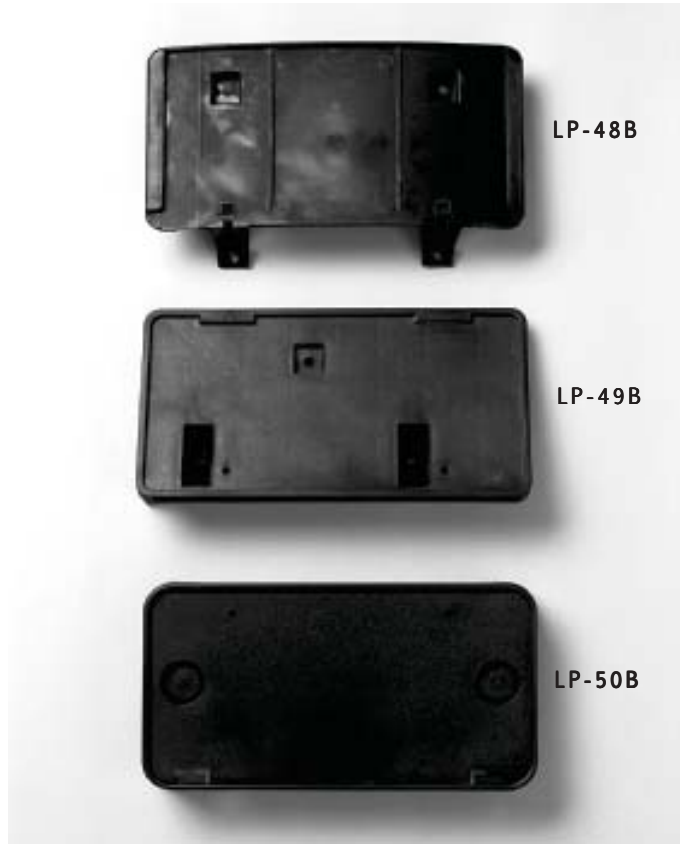
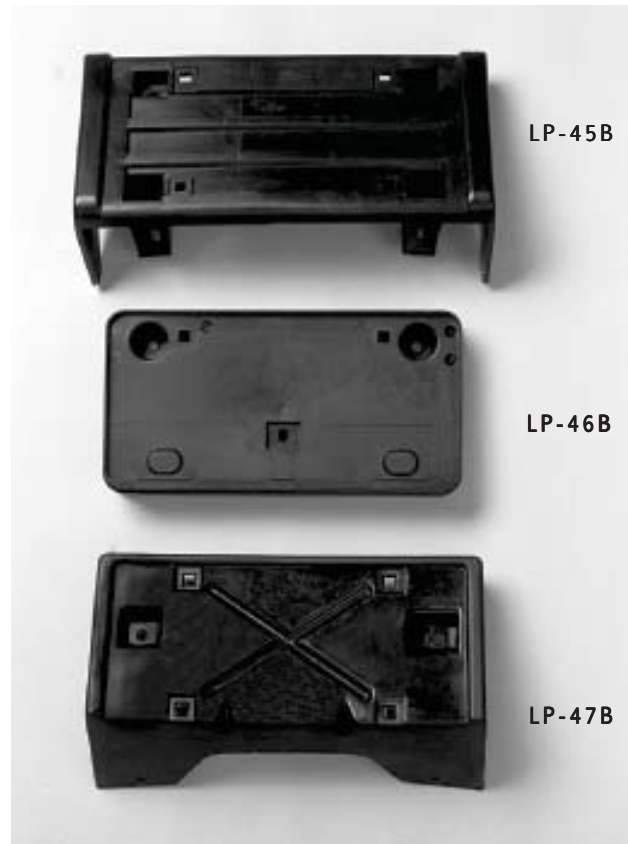
LP-48B Chevrolet Beretta 1987-94

LP-49B Chevrolet Cavalier 1988-90

LP-50B Ford Taurus 1986-91



For License Plate Lights see page 16 in *Electrical Service Section*



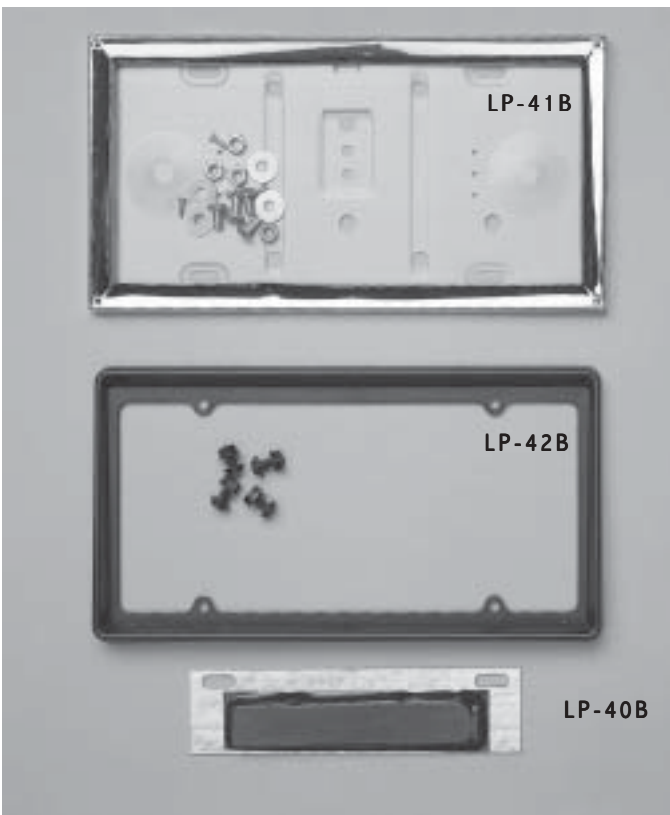
EXTERIOR
REPLACEMENT



REPLACEMENT



EXTERIOR



License Plate Accessories Cont'd

LICENSE PLATE BRACKETS (FRONT) Cont'd

- LP-51B Ford Escort, Mercury Lynx 1986-88
- LP-52B Ford F150/350 Pick-Up 1987-91
- LP-53B Ford Tempo, Mercury Topaz 1988-91

LICENSE PLATE FASTENERS

- LP-2B Set of 4 zinc-plated, slotted washer head bolts and square nuts. Bolt size (1/4" - 20 x 1/2")
- LP-10B Set of 4 self-tapping, zinc-plated, 1/4" x 5/8", slotted head screws and nuts. Molded nylon snap in retainer style nut fits most cars on front and rear bumper.
- LP-14B Set of 4 zinc-plated, slotted washer head bolts and square nuts. Bolt size (1/4" - 20 x 5/8")
- LP-19B AMC/Jeep, GM. #8 x 1/2", pan head. Set of 4.
- LP-20B GM, Honda. 6mm x 1.0 x 10mm, pan head.
- LP-21B Mazda, Toyota. 6mm x 1.0 x 20mm, pan head.
- LP-22B Honda. 1/4" x 3/4", recessed washer head.

LICENSE PLATE FRAMES

gauge steel back plate. All necessary hardware. Fits all standard size license plates, front and rear.

- LP-42B High-impact black plastic frame for standard size license plates. Fits most foreign and domestic cars, including GM X, J and K bodies.

LICENSE PLATE HOLDER

- LP-40B Galvanized, heavy-gauge sheet metal plate with permanent magnet. Bolt license plate to sheet metal for use on all vehicles.



PERFECT LIFT™ GAS-FILLED LIFT SUPPORTS
TAILGATE CABLES

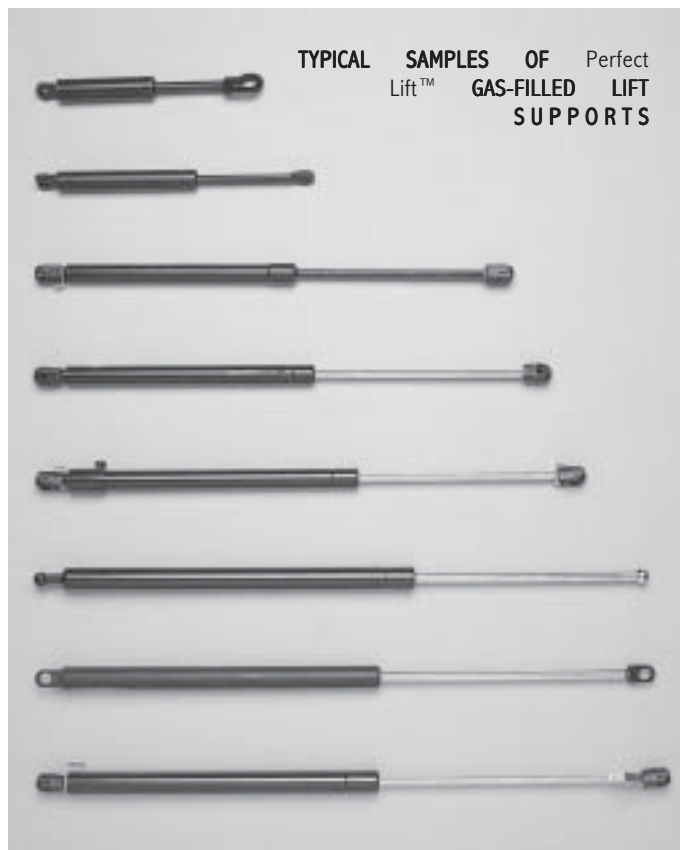
Perfect Lift™

Perfect#	Application	Year	Location	Ext.
L-5001B	Taurus, Sable	1986-up	Hood	19.60
L-5002B	GMC C,D,H Body	1985-up	Hood	15.31
L-5004B	Dodge/Plymouth	1987-up	Hatch	17.18
L-5008B	GM X Body	1980-82	Trunk	7.71
L-5010B	GM B Body	1980-83	Trunk	9.77
L-5011B	GM G Body	1980-83	Trunk	7.68
L-5012B	GM E Body	1979-83	Trunk	8.33
L-5013B	Cadillac	1980-83	Trunk	9.76
L-5014B	Seville	1980-85	Trunk	10.37
L-5018B	LeBaron, Lancer	1985-89	Hatch	19.74
L-5019B	Laser, Daytona	1984-90	Hatch	24.53
L-5020B	Cavalier, Firenza, J2000, Skyhawk Wagon	1982-91	Tailgate	23.50
L-5021B	GM J Body	1982-87	Hatch	34.65
L-5024B	Camaro, Firebird	1982-91	Hatch	39.09
L-5029B	Ford	1978-91	Hatch	19.58
L-5033B	Hyundai, Nissan	1984-89	Hatch	23.50
L-5042B	Jeep	1984-91	Hatch	23.75
L-5045B	Celebrity, Century, Giera, 6000 Wagon	1984-91	Tailgate	24.26
L-5049B	Escort, Lynx	1981-90	Hatch	24.29
L-5051B	GM Vehicles	1979-up	Hood	12.74
L-5052B	Buick RWD	1980-90	Hood	9.90
L-5053B	Century	1982-up	Hood	15.35
L-5054B	Buick Skylark	1980-85	Hood	13.46
L-5057B	Lincoln	1980-85	Hood	9.54
L-5058B	Dodge, Plymouth	1980-90	Hatch	16.69
L-5062B	BA M C	1977-87	Tail & Hatch	17.00
L-5063B	GM Wagon	1978-83	Tailgate	18.12
L-5065B	Chrysler Volkswagen	1981-89 1975-84	Hatch	19.61
L-5066B	Chrysler/Ford	1978-up	Tail & Hatch	19.70
L-5068B	GM Vehicles	1975-87	Hatch	20.91
L-5073B	Nissan 280ZX	1979-83	Hatch	30.95
L-5076B	Toyota Celica, Corolla, Supra	1976-85	Hatch	25.42
L-5080B	Dodge/Ply. Vans	1981-up	Tailgate	23.62
L-5090B	Bronco w/Glass	1984-89	Window	17.21
L-5091B	Universal - Pick-Up Camper		Caps	14.50
L-5092B	Universal - Pick-Up Camper		Caps	12.00
L-5112B	Blazer, Jimmy	1983-up	Window	18.15
L-5119B	LeBaron Convertible	1988-92	Trunk	16.69
L-5120B	Chrysler/Dodge	1984-86	Trunk	11.54
L-5140B	GM Vehicles	1988-92	Hood	21.36
L-5142B	Buick, Olds	1978-87	Hood	15.33
L-5148B	Buick Dodge	1982-91 1980-87	Hood Hatch	16.70
L-5197B	Lincoln Town Car	1986-89	Hood	9.60
L-5230B	Honda CRX	1988-90	Hatch	21.20

Tailgate Cables

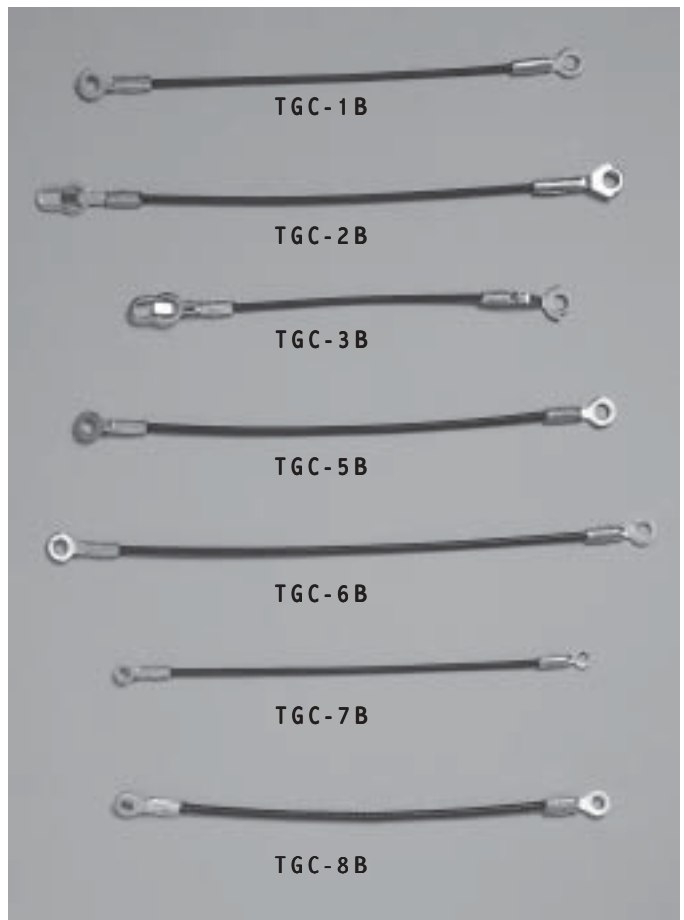
Replace broken cables to avoid further damage and costly repairs. No special tools needed. Easy installation. OEM replacement.

TGC-1B	Ford Bronco Full Size	1980-90
TGC-2B	Ford F100/350 Pick-up	1983-94
	Includes adapter washer	
TGC-3B	Ford Ranger	1983-88
	Includes adapter washer	
TGC-5B	Suburban	1973-89
TGC-6B	Blazer, Jimmy	1973-91
TGC-7B	S,T10 Blazer, S,T15 Jimmy	1983-90
TGC-8B	Dodge/Plymouth Truck	1979-86



Perfect Lifts™ gas-filled lift supports replace weak hatch, trunk, hood or rear window supports. They install in minutes with no special tools required! Available in Hanging Pouch.

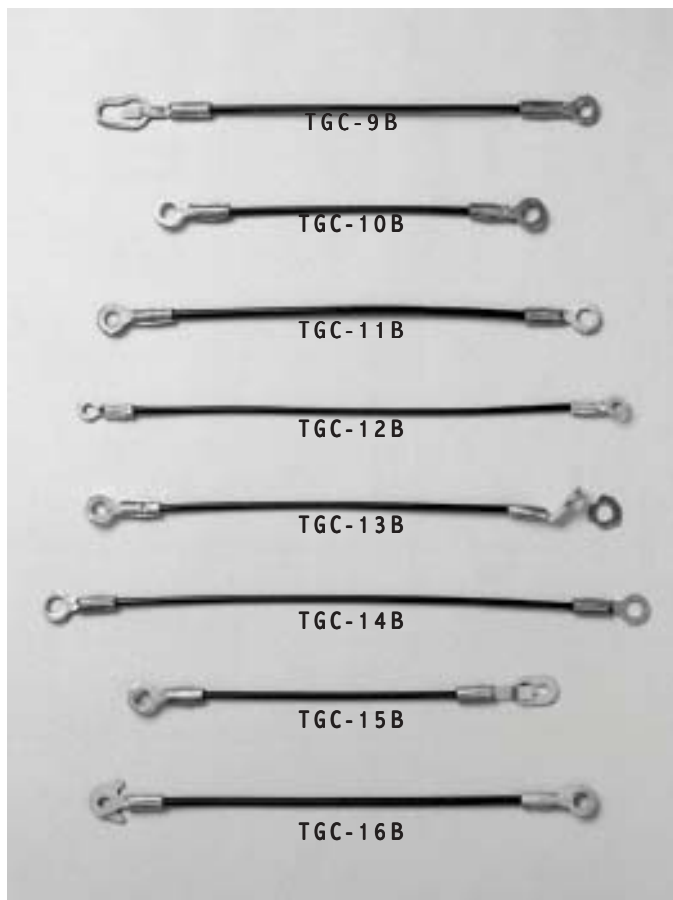
EXTERIOR



REPLACEMENT



REPLACEMENT



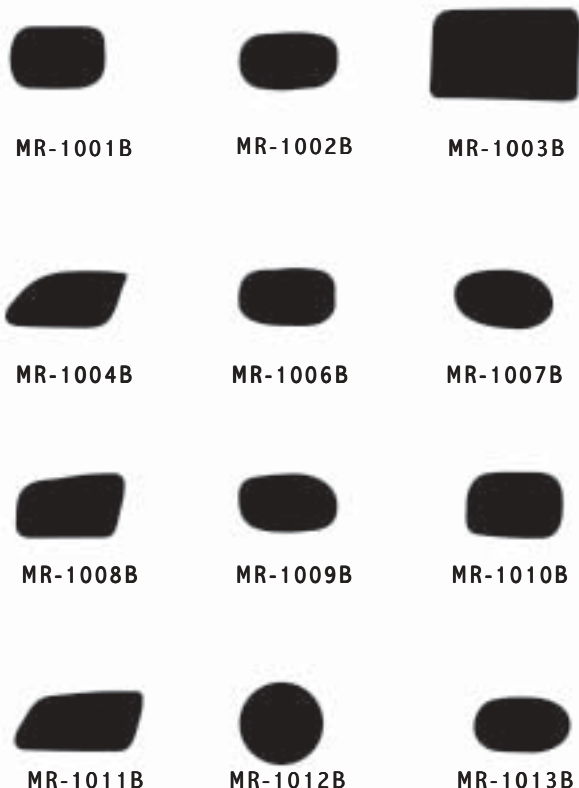
Tailgate Cables Cont'd

TGC-9B	Dodge Dakota	1986-94
TGC-10B	Chevrolet Caballero, El Camino	1978-87
TGC-11B	Chevrolet El Camino, Sprint	1970-77
TGC-12B	Jeep CJ-7 1976-86, CJ-8	1981-86
TGC-13B	Ford Country Squire, Mercury Colony Park	1973-91
TGC-14B	GM Caprice Classic, Catalina, Custom Cruiser, Electra, LeSabre, Parisienne, Safari	1977-90
TGC-15B	GM CK1, 2, 3 Pick-Up	1992-95
TGC-16B	GM Jimmy, Yukon	1992-95

Perfect Vision™ PRE-CUT REPLACEMENT MIRROR GLASS

MR-1001B	5-1/8" x 3-1/2" Plain, Left & Right Manual & Remote G M Jeep	1971-88 1972-83
MR-1002B	5-5/16" x 3-1/8" Sport, Left Manual & Remote G M	1973-88
MR-1003B	5-7/8" x 3-1/2" Plain, Left Remote Honda Accord	1979-88
MR-1004B	5-3/4" x 3-1/16" Sail, Left Remote Camaro, Firebird	1982-89
MR-1006B	5-1/4" x 3-1/8" Sport, Left Manual & Remote G M	1971-84
MR-1007B	5-1/8" x 2-15/16" Sport, Right Manual & Remote Buick, Oldsmobile	1977-84
MR-1008B	5-5/8" x 3-5/16" Sail, Left Manual & Remote Ford, Mercury	1977-87
MR-1009B	5-5/16" x 3-1/8" Sport, Right Manual & Remote G M	1960-87
MR-1010B	5-5/16" x 3-1/2" Plain, Left & Right Manual & Remote G M	1968-81
MR-1011B	6-3/8" x 3-1/8" Sail, Left Manual & Remote G M	1980-89
MR-1012B	4-11/32" Round, Left & Right Manual & Remote Chrysler Corp.	1967-81
MR-1013B	5" x 2-7/8" Sport, Left Manual & Remote G M	1971-88

EXTERIOR





PERFECT VISION™ (PRE-CUT REPLACEMENT MIRROR GLASS)

Perfect Vision™ Cont'd

PRE-CUT	REPLACEMENT	MIRROR	GLASS
MR-1014B	10" x 7" Plain, Left & Right Manual Chevrolet/GMC, Dodge, Ford, Jeep Trucks		1978-89
MR-1015B	9" x 6-1/2" Plain, Left & Right Manual Chevrolet/GMC, Dodge/Plymouth Trucks		1985-89
MR-1016B	9-1/16" x 6-1/16" Plain, Left & Right Manual Ford Truck		
MR-1017B	8-7/8" x 5-7/8" Plain, Left & Right Manual Ford Truck		
MR-1018B	6-3/4" x 5-5/8" Sail, Left & Right Manual Chevrolet/GMC Truck		1981-89
MR-1019B	8" x 5" Plain, Left & Right Manual Ford Aerostar, Bronco		1985-89
MR-1020B	8-9/16" x 5-1/2" Plain, Left & Right Manual Dodge, Ford, Mazda, Nissan Trucks		
MR-1021B	7-15/16" x 5" Plain, Left & Right Manual Ford Truck		
MR-1022B	5-3/8" x 4" Plain, Left & Right Manual Ford, Chevrolet, IHC Trucks		
MR-1023B	5-7/8" x 3-5/8" Sail, Left Manual Chevrolet/GMC Truck		
MR-1025B	4-13/16" x 3-1/2" Sport, Left Remote Nissan		1970-87
MR-1029B	5-11/16" x 3-17/32" Plain, Left & Right Manual & Remote Chrysler, GM		1970-89
MR-1030B	6-5/16" x 3-1/2" Sail, Left Manual & Remote, Right Manual Nissan		1979-90
MR-1031B	5-5/16" x 3-1/8" Sail, Left Manual & Remote Chrysler Corp.		1976-90
MR-1033B	5-7/32" x 3-1/4" Plain, Left & Right Remote Ford, Mercury		1971-89
MR-1034B	6" x 3-11/16" Sail, Left & Right Manual & Remote Chevrolet Nova Toyota		1988 1970-88
MR-1036B	5-5/16" x 3-1/8" Convex Sport, Right Manual & Remote G M		1978-88
MR-1039B	6-1/16" x 3-1/16" Sail, Right Manual & Remote Camaro, Firebird		1982-89
MR-1043B	5-3/4" x 3-1/4" Sail, Left Manual & Remote Ford/Mercury		1982-88
MR-1045B	6-11/16" x 3-1/2" Sail, Left Manual & Remote G M Mercury		1980-93 1983-87
MR-1048B	5-11/16" x 3-1/4" Sail, Left Manual & Remote G M		1982-93



MR-1014B



MR-1015B



MR-1016B



MR-1017B



MR-1018B



MR-1019B



MR-1020B



MR-1021B



MR-1022B



MR-1023B



MR-1025B



MR-1029B



MR-1030B



MR-1031B



MR-1033B



MR-1034B



MR-1036B



MR-1039B



MR-1043B



MR-1045B



MR-1048B

EXTERIOR

REPLACEMENT



REPLACEMENT

EXTERIOR



MR-1049B



MR-1052B



MR-1054B



MR-1055B



MR-1057B



MR-1059B



MR-1060B



MR-1061B



MR-1062B



MR-1077B



MR-1078B



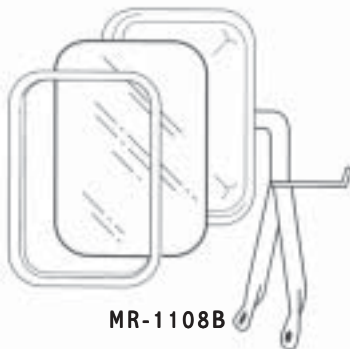
MR-1089B



MR-1091B



MR-1102B



MR-1108B

Perfect	Vision™	Cont'd	
PRE-CUT	REPLACEMENT	MIRROR	GLASS
MR-1049B	5" x 3-1/4"	Sport, Left Remote Ford, Mercury	1981-89
MR-1052B	5-3/8" x 3-7/16"	Sail, Left Manual & Remote Ford/Mercury	1983-93
MR-1054B	6-1/2" x 3-7/8"	Plain, Left Remote Honda	1972-88
MR-1055B	6-1/2" x 3-7/16"	Sail, Left Manual & Remote Toyota	1980-88
MR-1057B	5-3/4" x 3-3/16"	Plain, Left & Right Remote Ford/Mercury	1983-93
MR-1059B	5-5/8" x 3-13/16"	Sail, Left Remote Sable, Taurus	1986-89
MR-1060B	5-3/4" x 3-7/16"	Sail, Left Remote Toyota Celica, Corolla	1982-88
MR-1061B	6-1/8" x 3-1/2"	Sail, Left Remote G M	1984-91
MR-1062B	6-5/8" x 3-7/16"	Sail, Left Manual & Remote Chevrolet	1988-93
MR-1077B	6-9/16" x 3-9/16"	Convex Sail, Right Manual & Remote Toyota	1981-88
MR-1078B	9" x 6-3/8"	Convex Plain, Right Manual Chevrolet/GMC Truck Dodge/Plymouth Truck	1984-91 1984-88
MR-1089B	7-1/8" x 5-5/16"	Plain, Left & Right Manual Import Trucks	
MR-1091B	5-3/4" x 4-5/8"	Sail, Left Remote Dodge/Plymouth Truck	1984-93
MR-1102B	8-11/16" x 6-3/16"	Plain, Left & Right Manual & Remote Dodge Truck Universal Left & Right Manual	1985-93

TRUCK REPLACEMENT MIRROR GASKET

MR-1108B Truck Mirror Gasket. 45" long, can be cut to fit desired applications. Made of synthetic rubber for weather resistance.

Reflectors

Oval 4-3/8" long x 1-7/8" wide with two mounting holes and adhesive back for self-sticking mounting.

ML-105B Red **ML-106B** Amber

Aluminum oval, 4-1/2" x 3-3/4"; 3" acrylic lenses. 1/4" mount on 3-15/16" centers. Rustproof.

ML-138B Red **ML-139B** Amber



Taillight Lamps & Repair Tape

LENS REPAIR TAPE

Temporary, weatherproof self-adhesive 1-1/2" x 60".

RT-612B Red RT-613B Amber

UNIVERSAL

ML-125B Stop, Turn, Signal Taillight combination w/illuminator for license plate. 2 wire, black enamel steel housing.

ML-129B OEM replacement GMC, Chevy, IHC, Ford, Dodge, Kenworth, Mack & White Tractors.

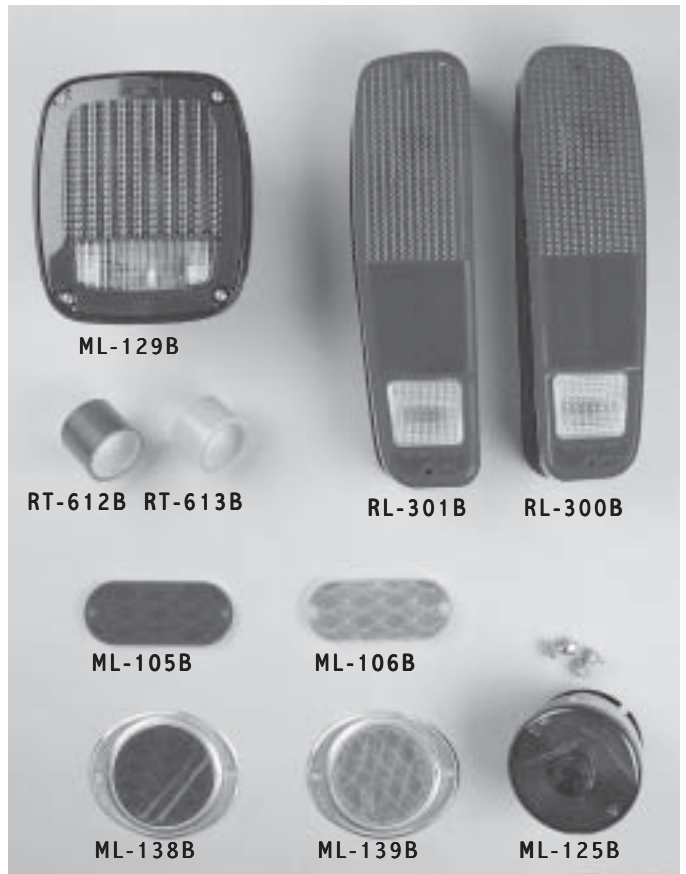
VAN AND TRUCK ASSEMBLIES

Rear replacement.

E-100/250 Vans and Club Wagons 1975-84 F-100 Styleside Pick-Up & Bronco 1973-79

RL-300B Right (D5UZ-13404A)

RL-301B Left (D5UZ-13405A)



EXTERIOR

REPLACEMENT